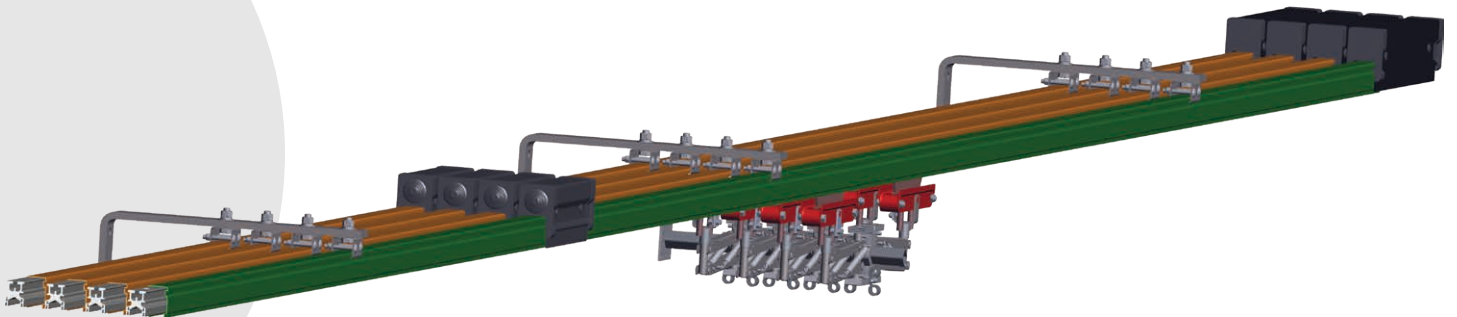


# Conductor Bar

## Hevi-Bar II



**CONDUCTIX**  
wampfler

# Table of Contents

<b>Overview</b> .....	<b>4</b>
Hevi-Bar II Features.....	4
DURA-COAT Option for Hevi-Bar II.....	4
<b>Conductor Bar Summary Chart</b> .....	<b>5</b>
<b>Conductor Bar Specification Data Sheet</b> .....	<b>6-7</b>
Sizing systems for multiple hoist, motors, and/or multiple cranes.....	7
<b>Typical 4-Bar System</b> .....	<b>8</b>
<b>500 Amp</b> .....	<b>9-12</b>
Conductor Bar.....	9
Splice.....	9
End Cover.....	10
Power Feed.....	10
Expansion Section.....	11
Power Interrupting Section.....	11
Hangers.....	12
Anchor Pin.....	12
500 Amp Installed Dimensions.....	12
<b>700 Amp</b> .....	<b>13-16</b>
Conductor Bar.....	13
Splice.....	13
End Cover.....	14
Power Feed.....	14
Expansion Section.....	15
Power Interrupting Section.....	15
Hangers.....	16
Anchor Pin.....	16
700 Amp Installed Dimensions.....	16
<b>1000 Amp</b> .....	<b>17-20</b>
Conductor Bar.....	17
Splice.....	17
End Cover.....	18
Power Feed.....	18
Expansion Section.....	19
Power Interrupting Section.....	19
Hangers.....	20
Anchor Pin.....	20
1000 Amp Installed Dimensions.....	20
<b>1500 Amp</b> .....	<b>21-24</b>
Conductor Bar.....	21
Splice.....	21
End Cover.....	22
Power Feed.....	22
Expansion Section.....	23
Power Interrupting Section.....	23
Hangers.....	24
Anchor Pin.....	24
1500 Amp Installed Dimensions.....	24

# Table of Contents - Continued

<b>Collectors &amp; Replacement Shoes</b> .....	<b>25-28</b>
125 Amp Single Collector .....	25
250 Amp Tandem Collector .....	26
200 Amp Single Collector .....	27
400 Amp Tandem Collector .....	28
<b>500 Amp - 700 Amp Support Brackets</b> .....	<b>29-30</b>
Web Bracket .....	29
Flange Bracket .....	30
<b>1000 Amp - 1500 Amp Support Brackets</b> .....	<b>31-33</b>
Web Bracket .....	31
Flange Bracket .....	32
Braced Web Bracket .....	33
<b>Lateral Bracket</b> .....	<b>34</b>
Braced Web Bracket .....	34
<b>Specifications</b> .....	<b>35</b>
Conductor Bar Cover .....	35
Conductor Bar .....	35
Corrosion Protection .....	35

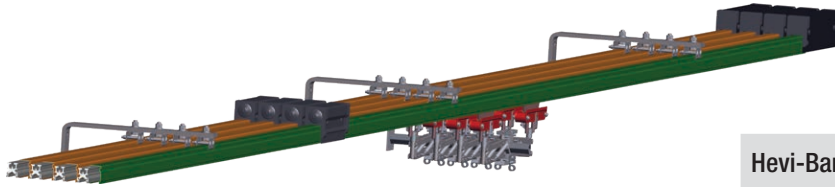


# Overview

The rugged Hevi-Bar II Conductor Bar System delivers reliable, high-capacity electrical performance. It is ideal for tough environments and demanding, heavy-use applications found in mills, heavy industry, storage yards, and transit systems. It is truly a “put it up once and forget it” system that will last for the life of your equipment.

**Ampacity Selections:** 500A, 700A, 1000A, and 1500A, at 600 volts.

**Maximum Speed:** 2000 feet per minute  
(Contact the factory if higher speeds are needed)



## Hevi-Bar II is ideal for:

- Medium to large cranes
- Bulk Handling Systems
- Mills and heavy industry
- Transit Systems
- Material Handling Equipment
- Other mobile power applications

## Hevi-Bar II Features

- Uses surface area rather than mass to dissipate heat generated by high current conditions
- Can be mounted horizontally or vertically (“side entry”)
- V-grooved for positive and accurate collector shoe tracking
- Has hardened, long-wearing and corrosion resistant stainless steel contact surface.
- Offers a choice of insulating covers:
  - Standard orange for indoor use
  - Green for the ground (bonding) conductor
  - Black UV-resistant for outdoor use
  - Medium or extreme temperature versions to withstand higher and lower ambient temperatures



Hevi Bar II is easy to install and maintain. For further information, please download the Hevi Bar II manual from our web site.

## DURA-COAT Option - for Hevi-Bar II

Hevi-Bar II is available with our optional DURA-COAT finish, specially formulated for extremely corrosive environments. This coating combines a ceramic compound with an epoxy binder to provide superior corrosion resistance and adhesion to the base materials. The entire bar is coated, with the exception of the stainless steel running surface. The insulating cover is applied over the coating. All metal parts of the collector arm are coated.

DURA-COAT is ideal for galvanizing and electro-plating lines, chemical plants, smelters, foundries and cast houses, coke and ore handling cranes, and oxidizing/electro-winning facilities.

Contact Conductix-Wampfler for further information about DURA-COAT.



Visit [www.conductix.us](http://www.conductix.us) for the most current information.

# Conductor Bar Summary Chart

The below chart is only showing Conductor Bar lines manufactured in the USA.

For Conductor Rails manufactured in Germany but available in the USA, please refer to KAT0800-0001 | Conductor Rail Overview

	Safe-Lec 2 CAT1003	Hevi-Bar II CAT1006	8-Bar CAT1004	Side Contact CAT1004
<b>Common Applications</b>	Small to medium over-head cranes, moderate curves	Medium to large overhead cranes, higher speeds	Small to medium overhead cranes, tighter curves	Contained spaces, slip ring applications, curves
<b>Bar Ampacity Selections</b>	100 125 160 200 250 315 400	500 700 1000 1500	40 90 110 250 350 500	40 90 110 250 350
<b>Maximum Voltage</b>	600	600	600	600
<b>Maximum Speed<sup>1</sup> ft./min (m/min)</b>	1200 (365.78)	2000 (609.6)	900 (274.3)	600 (182.8)
<b>Bar Spacing in. (mm)</b>	1.69 (43)	3.0 (76.2)	3.0 (76.2)	1.375 (34.9)
<b>Cover Temps</b> Low 160 °F (71 °C) Med 250 °F (121 °C) Extreme -60°-280 °F (-51.1-137.7 °C)	Low Med	Low Med Extreme (700 & 1000 Amp Only)	Low Med Extreme	Led Med
<b>Outdoor Rated</b>	Yes	Yes	Yes	No
<b>Dura-Coat Available?</b>	No	Yes	No	No
<b>Orientation (collector entry)</b>	Bottom/Side	Bottom/Side	Bottom/Side	Side Only
<b>Minimum Bend Radius with Low Temp Cover - in. (mm)</b>	60.0 (1542)	Consult Factory	180.0 (457)	9.0 (228)
<b>Minimum Bend Radius Med Temp Cover - in (mm)</b>	60.0 (1542)	96.0 (2438.4)	57.0 (1447)	57.0 (1447)
<b>Heater Wire Available</b>	Yes	500Amp Only	No	No

<sup>1</sup>For faster speeds - contact factory.

# Conductor Bar Specification Data Sheet

E-mail to: sales.us@conductix.com

The following data form must be filled out in order for the system to be designed and perform properly.

Request Date

Sales Person

Company

Contact

Title

Tel

Fax

Company Type

E-mail

## Application

Application Type:  Runway  Bridge  Monorail  Other

New Approved Installation?  Extended Existing?  Replacement?

System Length: \_\_\_\_\_  Feet  Meters

Total Number of Conductors: \_\_\_\_\_ Will one conductor be designated as a ground:  Yes  No

Does your application require Data Transmission as well as Power Transmission  Yes  No

If yes, describe your requirements: \_\_\_\_\_  
\_\_\_\_\_  
\_\_\_\_\_

## Environmental Data

Indoors  Outdoors  Both Indoors & Outdoors  Outdoor & Ice

Ambient Temperature Range - Min. \_\_\_\_\_ Max. \_\_\_\_\_  °F  °C

Radiant Heat Temperature Range - Min. \_\_\_\_\_ Max. \_\_\_\_\_  °F  °C

Will a heater wire need to be included:  Yes  No (if yes, consult factory)

Will there be corrosive materials present  Yes  No If yes, what type (salt, chlorine, steam, acids, etc.) \_\_\_\_\_

Are there any other environmental considerations for this application? \_\_\_\_\_  
\_\_\_\_\_  
\_\_\_\_\_

## Mechanical Data

Vehicle Speed: \_\_\_\_\_  feet/min  meters/min

Duty Cycle: \_\_\_\_\_ cycles per: \_\_\_\_\_ (hour, day, minute, etc.)

Number of vehicles or trolleys: \_\_\_\_\_ Crane Class (if applicable) \_\_\_\_\_

Will Conductix be supplying mounting brackets:  Yes  No

Does the system have any curves:  Yes  No if yes, Radius \_\_\_\_\_  Feet  Meters Angle \_\_\_\_\_ °

Mounting position with regards to monorail:  Inside  Outside  Both

Other mechanical Notes: \_\_\_\_\_  
\_\_\_\_\_  
\_\_\_\_\_

# Conductor Bar Specification Data Sheet

## Electrical Specifications

Number of power feeds: \_\_\_\_\_

Location of power feeds (check all that apply):  Center  End  Multiple

Advanced: Distance power feeds will be from end of system: \_\_\_\_\_ (or attach diagram)

Number of power phases: \_\_\_\_\_ Operating Voltage: \_\_\_\_\_ (volts)  AC  DC

Total current draw: (sum of all vehicles) \_\_\_\_\_ (Amps) Demand factor \_\_\_\_\_ (typically .9)

Operating Frequency: \_\_\_\_\_ (Hz - USA is 60 Hz)

### Sizing systems for multiple hoists, motors, and/or multiple cranes

For a single crane: Size the conductor bar to handle 100% of the current draw of the largest motor or group of motors, plus 50% of the combined current draw of the other motors on the vehicle.

For multiple cranes or vehicles: Determine the current draw for each crane/vehicle, using the method above. Sum all the current draws for each crane/vehicle, then multiply the sum by the appropriate demand factor:

# of Cranes/vehicles	Demand Factor
2	.95
3	.91
4	.87
5	.84
6	.81
7	.78



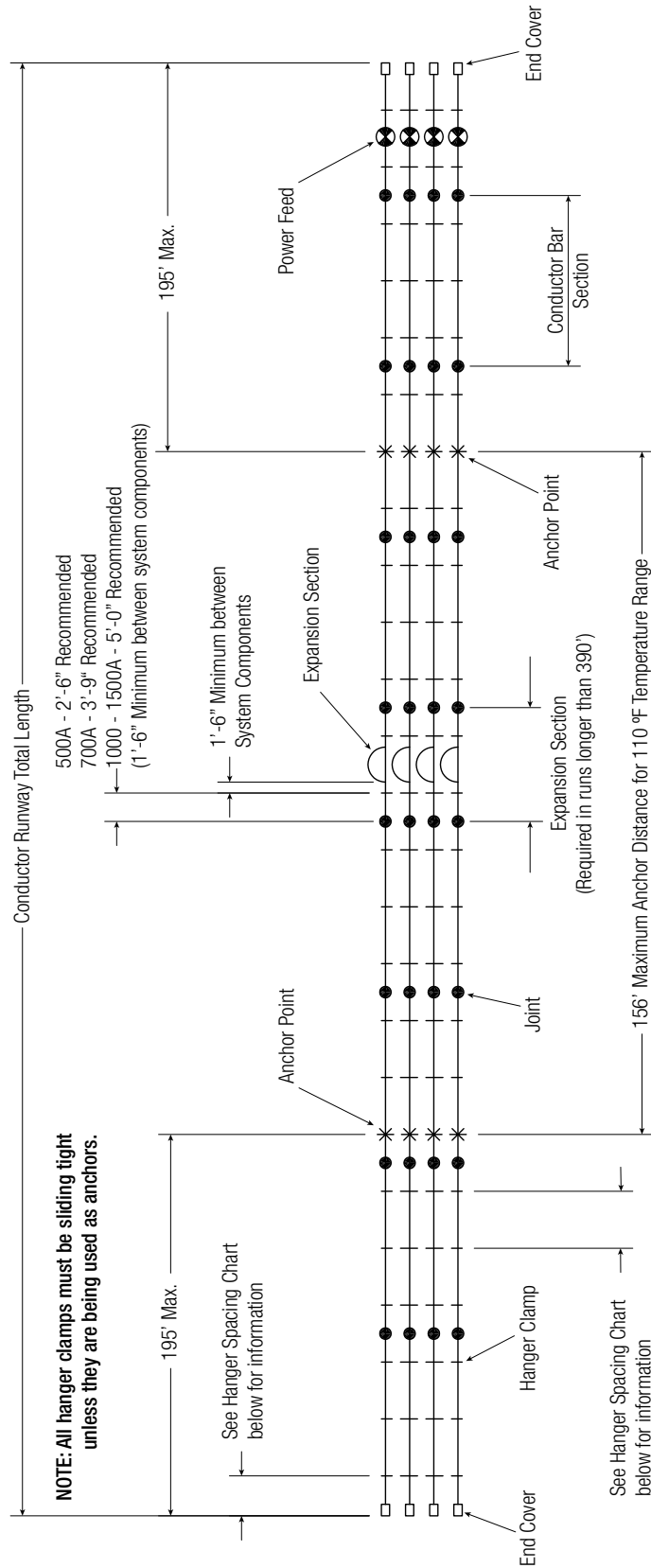
Hevi-Bar II - Foundry Crane



Hevi-Bar II - Curved System

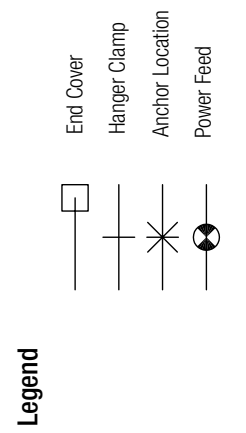
# Typical 4-Bar System

## Example of 4 Conductor Runway Hevi-Bar II (3 Phase + 1 Ground)



**Hanger Spacing Chart**

System	First Hanger	Maximum Hanger Spacing
500 Amp	2'-6"	5'-0"
700 Amp	3'-9"	7'-6"
1000 Amp	5'-0"	10'-0"
1500 Amp	5'-0"	10'-0"

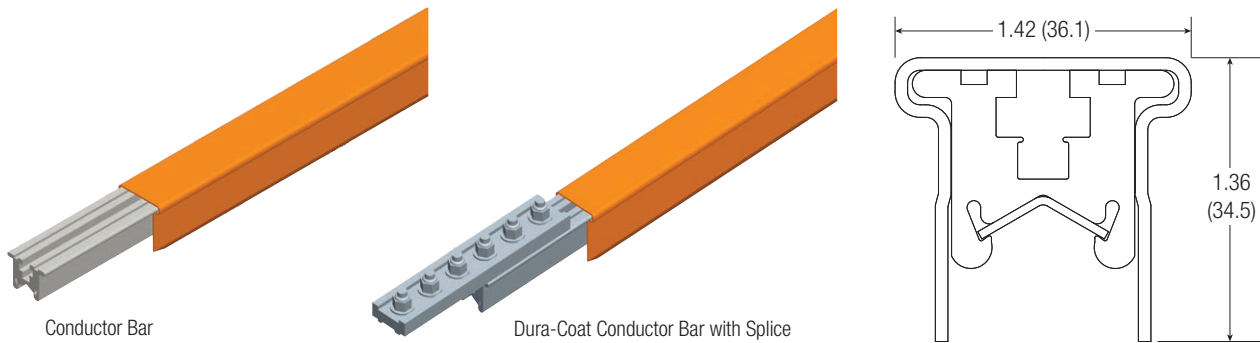




# 500 Amp

## Conductor Bar

Type / Max Temp	Use (Color)	Standard	DURA-COAT with splice installed
		Conductor Bar	Conductor Bar
PVC 160° F	Phase / Indoors (Orange)	XA-27582	XA-39745-J
	Ground / Indoors (Green)	XA-50258	XA-39745G-J
	Phase / Outdoors UV Stable (Black)	XA-38925	XA-39745B-J
	Ground / Outdoors UV Stable (Green)	XA-574123	XA-39745C-J
Polycarbonate 250° F	Phase / Indoors & Outdoors (Red)	XA-32496	XA-50731-J
	Ground / Indoors & Outdoors (Green)	XA-574041	XA-50731G-J
Weight: lb. (kg)		26.0 (11.79)	27.0 (12.24)
Length: ft. (m)		30.0 (9.144)	30.0 (9.144)



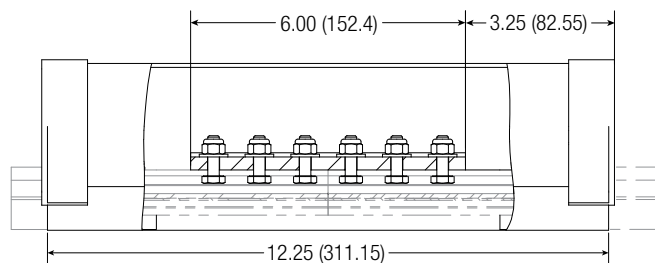
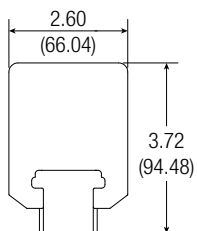
Conductor Bar

Dura-Coat Conductor Bar with Splice

## Splice

Type / Temperature Rating	Standard	DURA-COAT
	Splice	*Splice Cover
PVC / Indoors 160° F	XA-37676	XA-51304
PVC / Outdoors UV Stable 160°F	XA-37676	XA-51304
Polycarbonate / Indoors & Outdoors 250° F	XA-32499	XA-51305
Weight: lb. (kg)	1.2 (0.681)	0.73 (0.33)

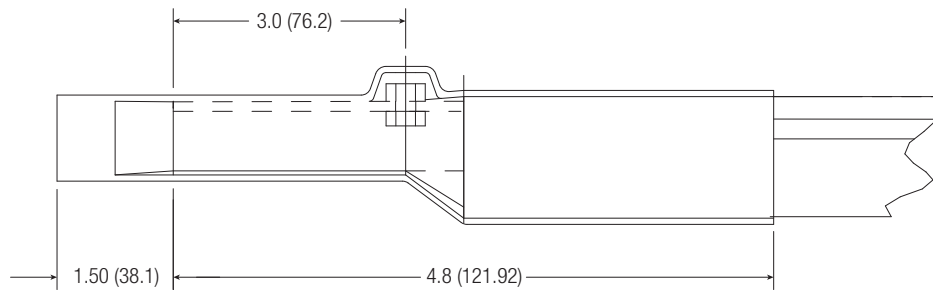
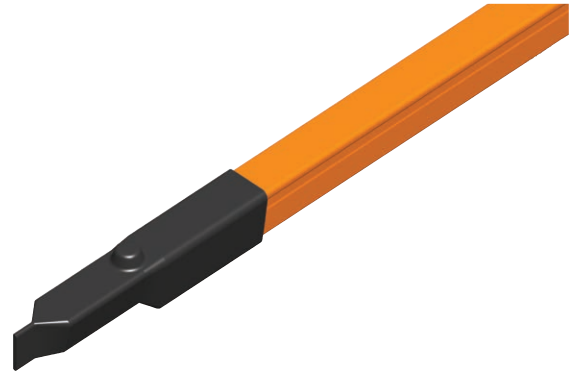
\* DURA-COAT bar comes with splices installed. The above part number represents only the Splice Cover.



# 500 Amp

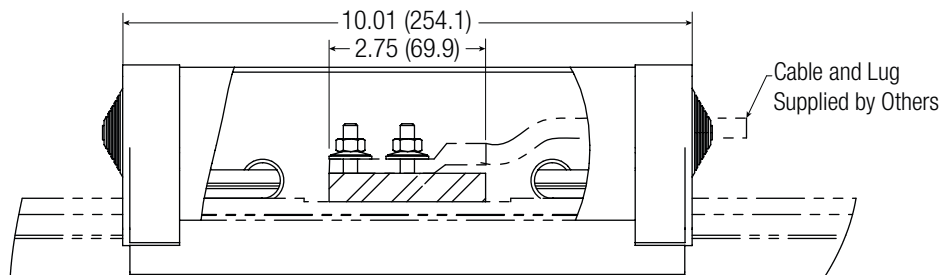
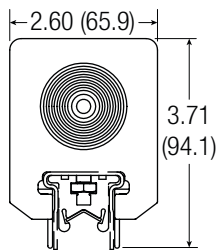
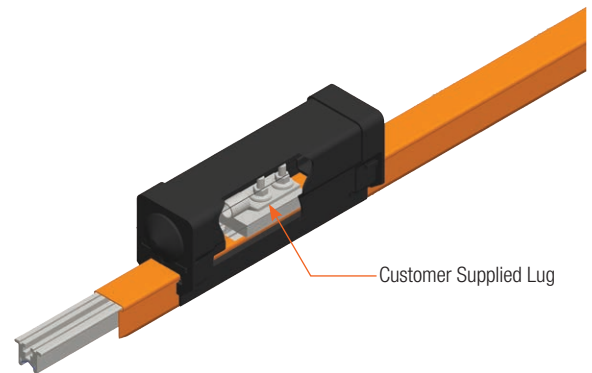
## End Cover

Type / Temperature Rating	Part No.
Phase & Ground for both Standard & DURA-COAT / all temperature ranges	XA-27588
Weight: lb. (kg)	0.1 (0.045)



## Power Feed

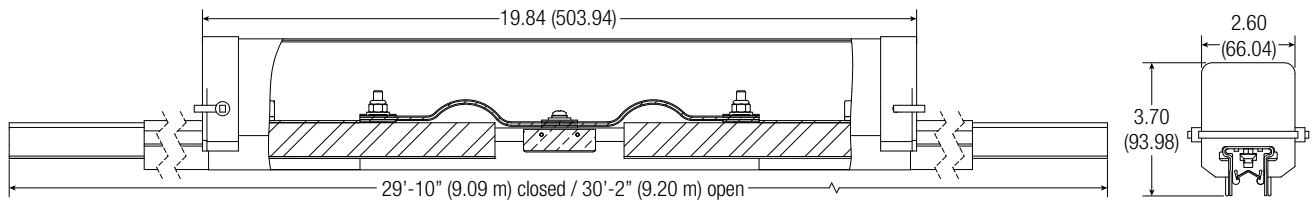
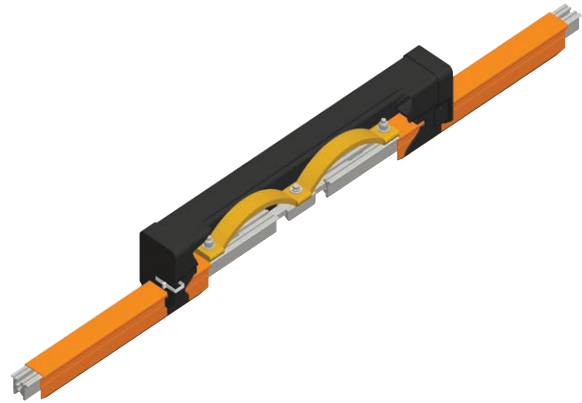
Type / Temperature Rating	Standard	DURA-COAT
PVC 160° F	XA-37674	XA-37674
Polycarbonate 250° F	XA-32500	XA-32500
Weight: lb. (kg)	0.1 (0.045)	1.0 (0.45)



# 500 Amp

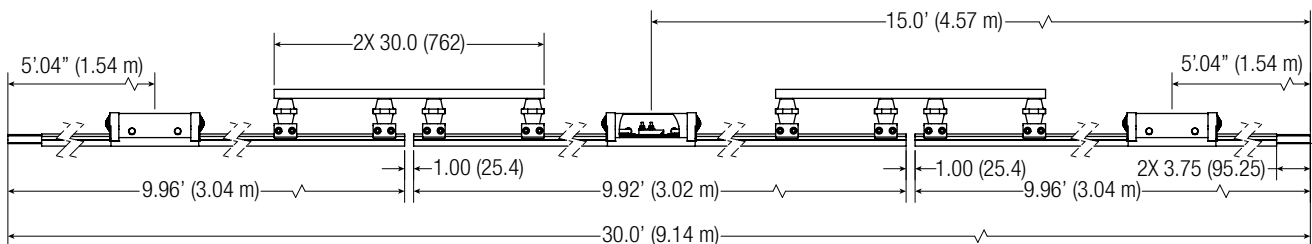
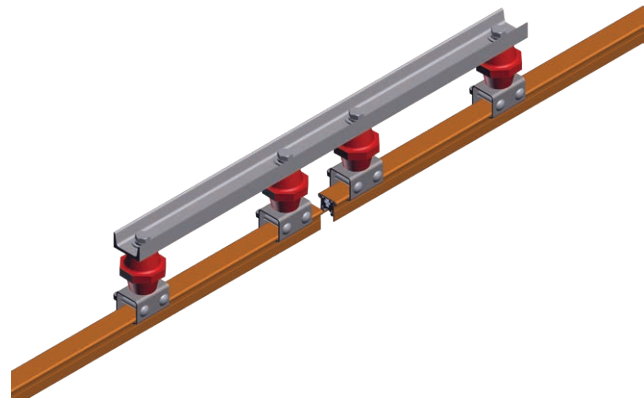
## Expansion Section

Use (Color)	Standard	DURA-COAT
Phase / Indoors (Orange) 160° F	XA-37677	XA-39741-J
Ground / Indoors (Green) 160° F	XA-37677E	XA-39741G-J
Phase / Outdoors UV Stable (Black) 160° F	XA-38946	XA-39741B-J
Ground / Outdoors UV Stable (Green) 160° F	XA-38946B	XA-39741C-J
Phase / Indoors & Outdoors (Red) 250° F	XA-32498	XA-50741-J
Ground / Indoors & Outdoors (Green) 250° F	XA-32498B	XA-50714G-J
Weight: lb. (kg)	30.0 (13.61)	30.0 (13.61)
Length: ft. (m)	30.0 (9.144)	30.0 (9.144)



## Power Interrupting Section

Use (Color) / Temperature Rating	Standard	DURA-COAT
Phase / Indoors (Orange) 160° F	XA-50746	XA-50749-J
Phase / Outdoors UV Stable (Black) 160° F	XA-50746B	XA-50749B-J
Phase / Indoors & Outdoors (Red) 250° F	XA-50747	XA-50750-J
Weight: lb. (kg)	50.0 (22.67)	50.0 (22.67)
Length: ft. (m)	30.0 (9.144)	30.0 (9.144)

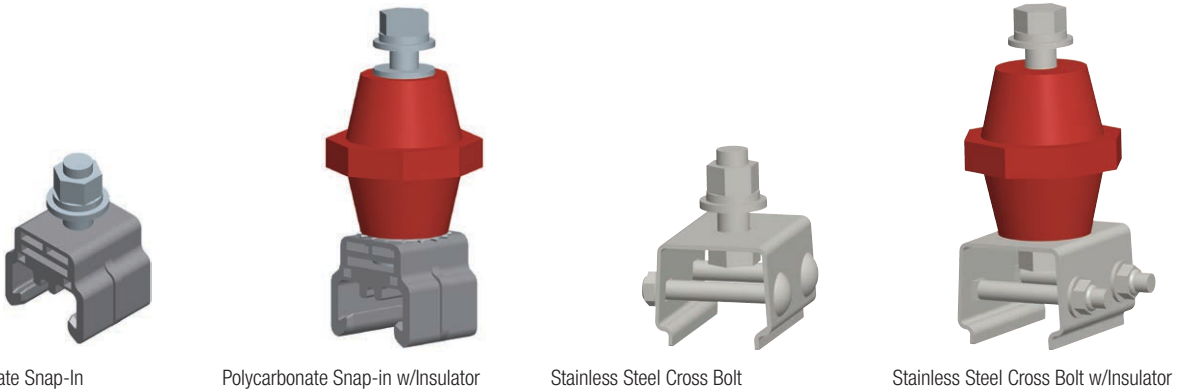


# 500 Amp

## Hangers

Hangers can be installed on brackets up to 3/8" thick (9.5mm).

For 500 Amp Bar Only	Plated Hardware	Stainless Steel Hardware	Weight - lb. (kg)
Polycarbonate Snap-In	XA-26591	XA-28368	0.29 (0.14)
Polycarbonate Snap-In with Insulator	XA-27483	XA-27780	0.89 (0.40)
Stainless Steel Cross Bolt	XA-27481	XA-27788	0.60 (0.27)
Stainless Steel Cross Bolt with Insulator	XA-27482	XA-32807	1.14 (0.50)

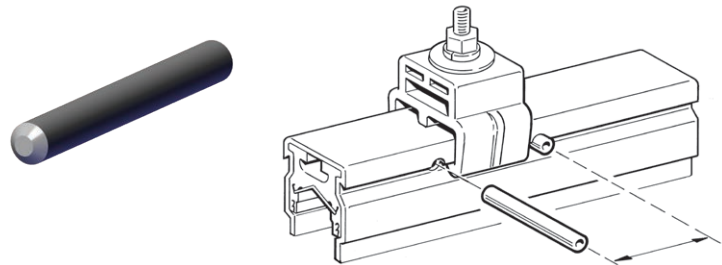


## Anchor Pin

Anchor Pins turn a hanger into an anchor. (2) required per Hanger.

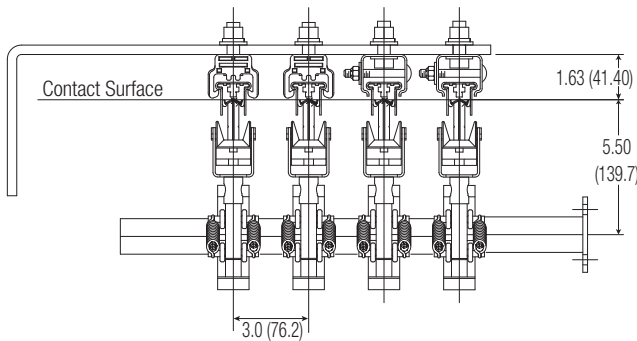
**NOTE:** Only for use with Plastic Hangers.

Part Number	Weight - lb. (kg)
XA-23946	0.1 (0.05)

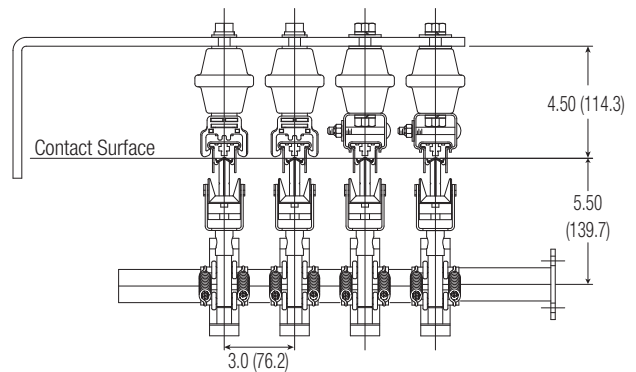


## 500 Amp Installed Dimensions

### Standard Hanger



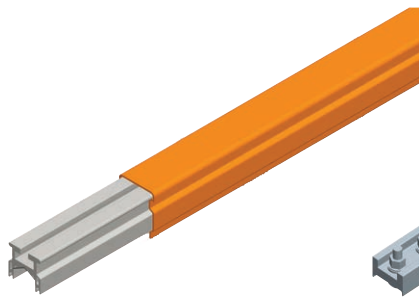
### With Insulators



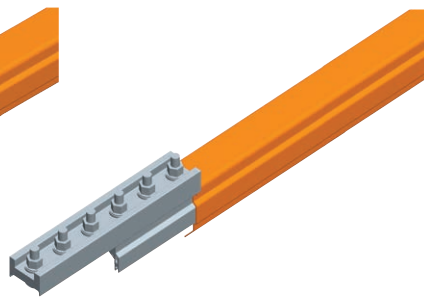
# 700 Amp

## Conductor Bar

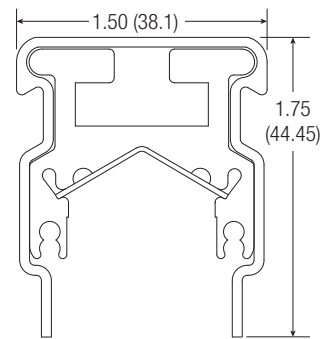
Type / Max Temp	Use (Color)	Standard	DURA-COAT with splice installed
		Conductor Bar	Conductor Bar
PVC 160° F	Phase / Indoors (Orange)	XA-24528	XA-39847-J
	Ground / Indoors (Green)	XA-24528B	XA-39847G-J
	Phase / Outdoors UV Stable (Black)	XA-38934	XA-51376-J
	Ground / Outdoors UV Stable (Green)	XA-574535	XA-39847C-J
Polycarbonate 250° F	Phase / Indoors & Outdoors (Red)	XA-50733	XA-50062-J
	Ground / Indoors & Outdoors (Green)	XA-574095	XA-50062G-J
Fiberglass Reinforced Polyester -60° to 280° F	Phase & Ground / Indoors (Orange)	XA-24554	N/A
		Weight: lb. (kg)	40.0 (18.14)
		Length: ft. (m)	30.0 (9.144)



Conductor Bar



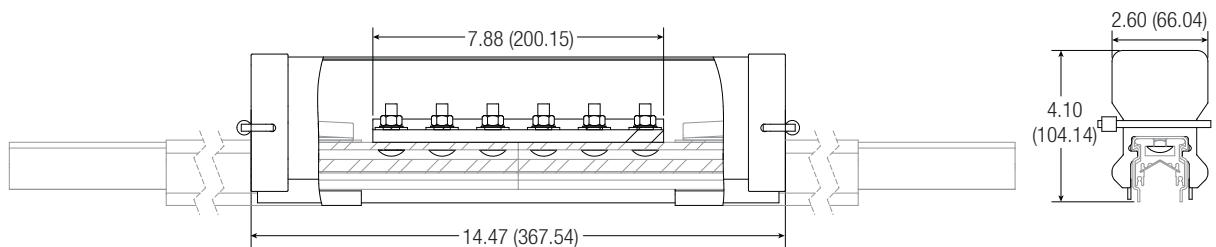
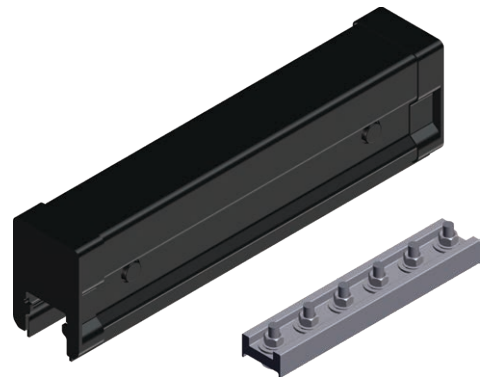
Dura-Coat Conductor Bar with Splice



## Splice

Type / Temperature Rating	Standard	DURA-COAT
	Splice	*Splice Cover
PVC / Indoors 160° F	XA-38115	XA-51320
PVC / Outdoors UV Stable 160°F	XA-38115	XA-51320
Polycarbonate / Indoors & Outdoors 250° F	XA-38115C	XA-51321
Fiberglass Reinforced Polyester -60° to 280° F	XA-24558	N/A
Weight: lb (kg)	1.9 (0.86)	1.5 (0.457)

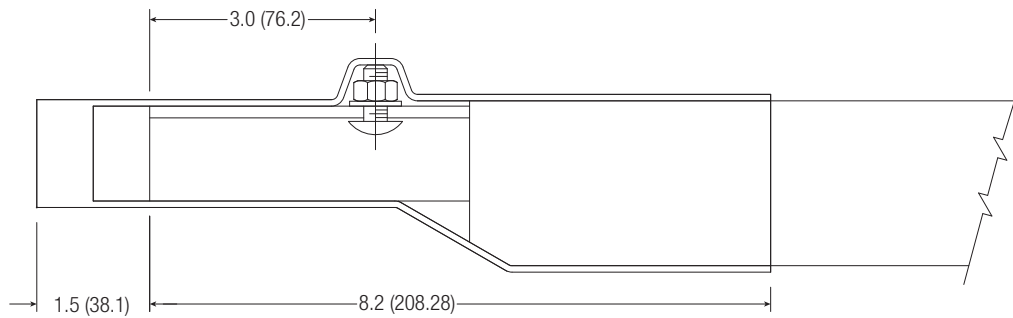
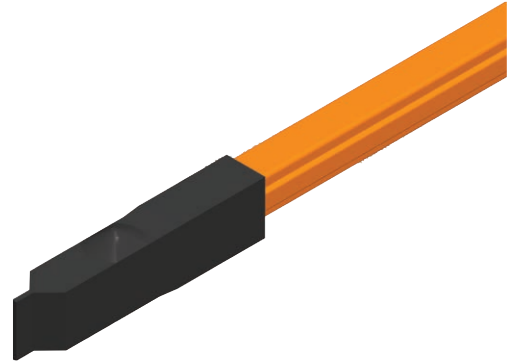
\* DURA-COAT bar comes with splices installed. The above part number represents only the Splice Cover.



# 700 Amp

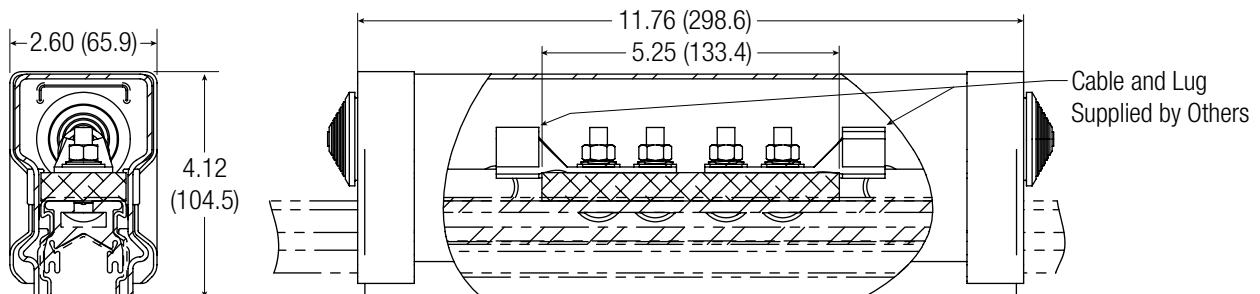
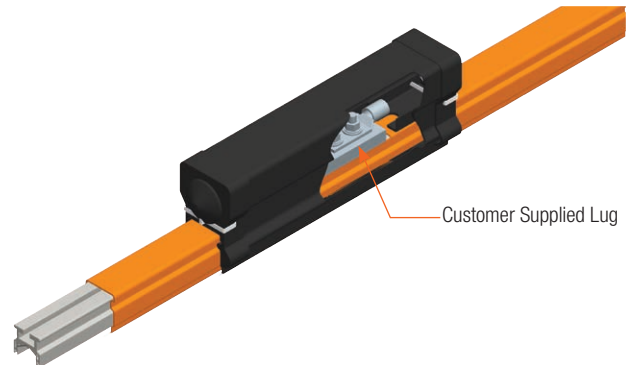
## End Cover

Type / Temperature Rating	Part No.
Phase & Ground for both Standard & DURA-COAT / 160° F & 250° F	XA-50859
Fiberglass Reinforced Polyester -60° to 280° F	XA-24585
Weight: lb (kg)	1.8 (0.82)



## Power Feed

Type / Temperature Rating	Standard	DURA-COAT
PVC 160° F	XA-38117	XA-38117
Polycarbonate 250° F	XA-50067	XA-50067
Fiberglass Reinforced Polyester -60° to 280° F	XA-24594	N/A
Weight: lb (kg)	1.8 (0.82)	2.0 (0.907)



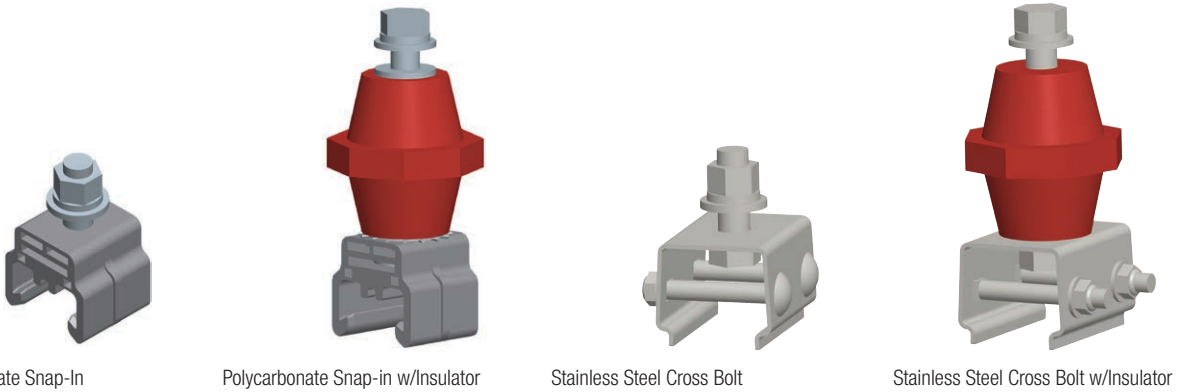


# 700 Amp

## Hangers

Should be installed on brackets with a minimum thickness of 3/8" (9.5mm).

For 700 Amp to 1500 Amp Bar	Plated Hardware	Stainless Steel Hardware	Weight - lb. (kg)
Polycarbonate Snap-In	XA-23223	XA-28220	0.27 (0.13)
Polycarbonate Snap-In with Insulator	XA-24902	XA-24902B	0.83 (0.40)
Stainless Steel Cross Bolt	XA-27481	XA-27788	0.58 (0.28)
Stainless Steel Cross Bolt with Insulator	XA-27482	XA-32807	1.11 (0.53)

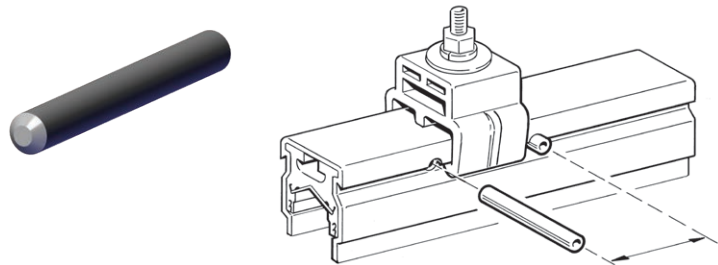


## Anchor Pin

Anchor Pins turn a hanger into an anchor. (2) required per Hanger.

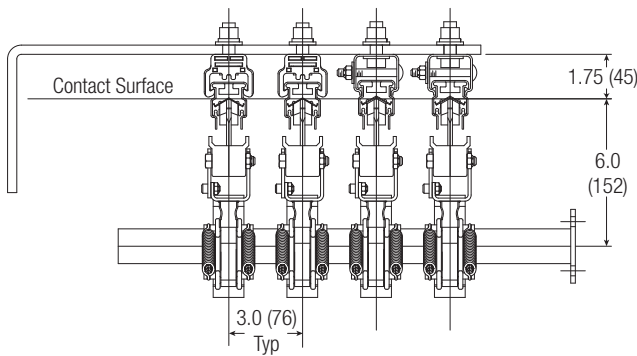
**NOTE:** Only for use with Plastic Hangers.

Part Number	Weight - lb. (kg)
XA-23946	0.1 (0.05)

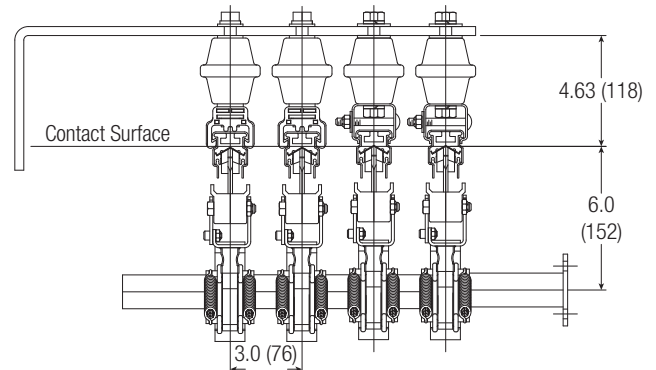


## 700 Amp Installed Dimensions

### Standard Hanger



### With Insulators

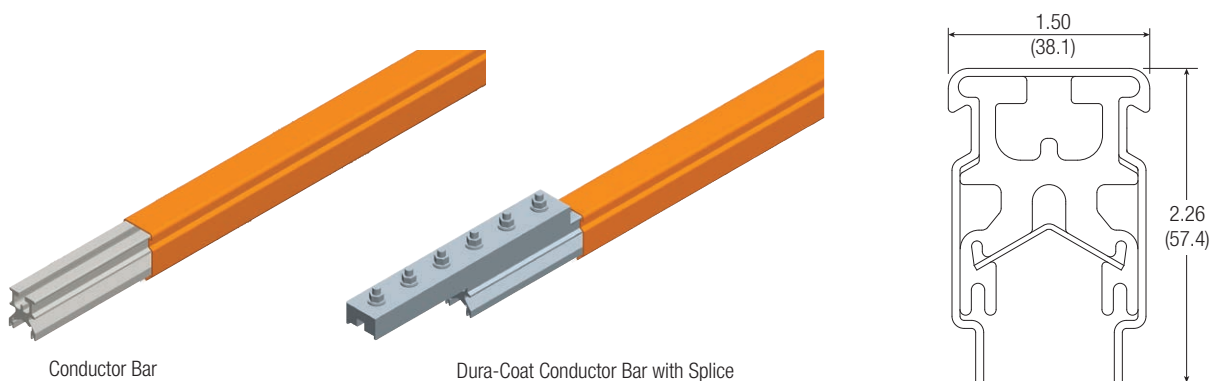




# 1000 Amp

## Conductor Bar

Type / Max Temp	Use (Color)	Standard	DURA-COAT with splice installed
		Conductor Bar	Conductor Bar
PVC 160° F	Phase / Indoors (Orange)	XA-23500	XA-50736-J
	Phase / Outdoors UV Stable (Black)	XA-23500D	XA-50736B-J
	Ground / Outdoors UV Stable (Green)	XA-571682	XA-50736C-J
Polycarbonate 250° F	Phase / Indoors & Outdoors (Red)	XA-31991	XA-50735-J
	Ground / Indoors & Outdoors (Green)	XA-574094	XA-50735G-J
Fiberglass Reinforced Polyester -60° to 280° F	Phase / Indoors (Orange)	XA-23508	N/A
Weight: lb. (kg)		48.0 (21.77)	49.0 (22.22)
Length: ft. (m)		30.0 (9.144)	30.0 (9.144)



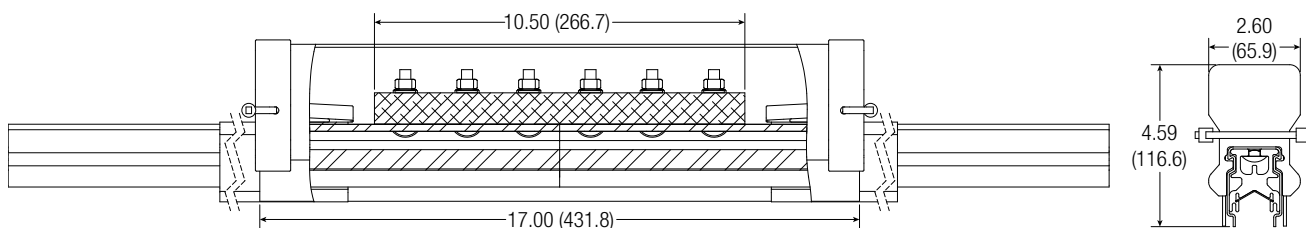
Conductor Bar

Dura-Coat Conductor Bar with Splice

## Splice

Type / Temperature Rating	Standard	DURA-COAT
	Splice	*Splice Cover
PVC / Indoors 160° F	XA-37746	XA-51322
PVC / Outdoors UV Stable 160°F	XA-37746	XA-51322
Polycarbonate / Indoors & Outdoors 250° F	XA-31964	XA-534845
Fiberglass Reinforced Polyester -60° to 280° F	XA-23520	N/A
Weight: lb (kg)	3.0 (1.36)	1.2 (0.54)

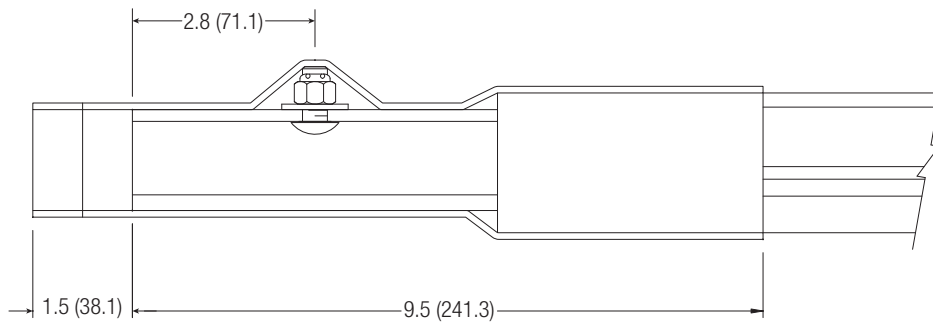
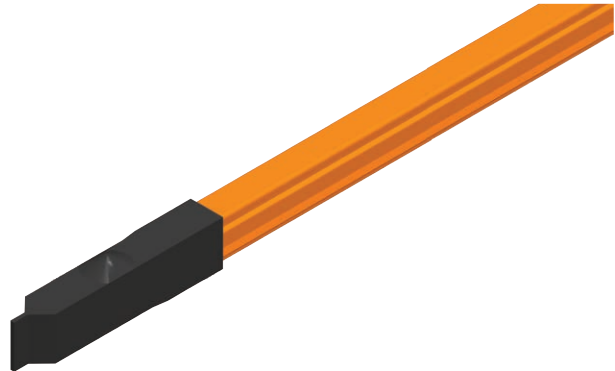
\* DURA-COAT bar comes with splices installed. The above part number represents only the Splice Cover.



# 1000 Amp

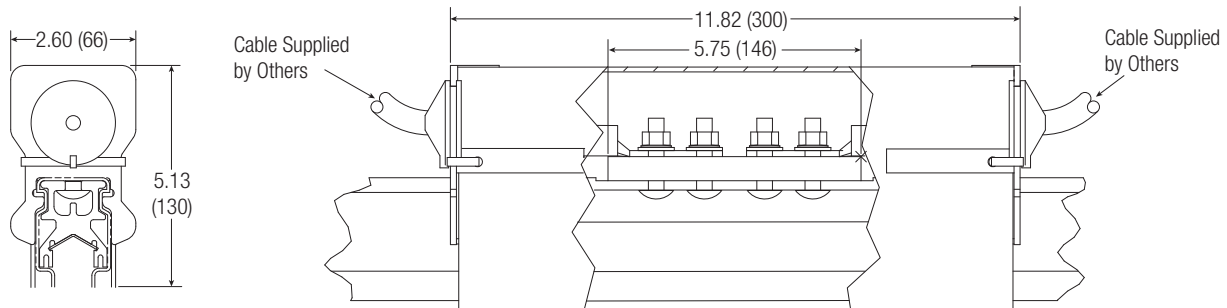
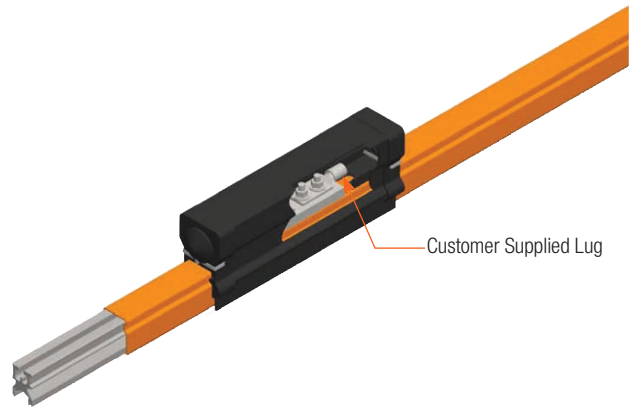
## End Cover

Type / Temperature Rating	Part No.
Phase & Ground for both Standard & DURA-COAT / 160° F & 250° F	XA-33796B
Fiberglass Reinforced Polyester -60° to 280° F	XA-23523
Weight: lb (kg)	1.72 (0.78)



## Power Feed

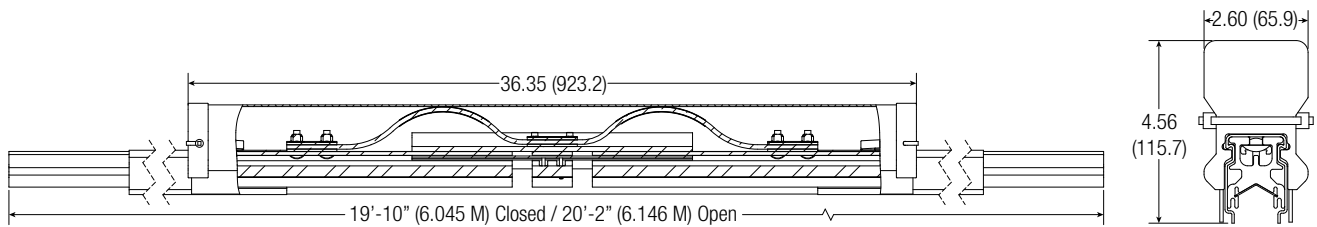
Type / Temperature Rating	Standard	DURA-COAT
PVC 160° F	XA-38184	XA-38184
Polycarbonate 250° F	XA-38184D	XA-38184D
Fiberglass Reinforced Polyester -60° to 280° F	XA-23530	N/A
Weight: lb (kg)	1.69 (0.77)	1.69 (0.77)



# 1000 Amp

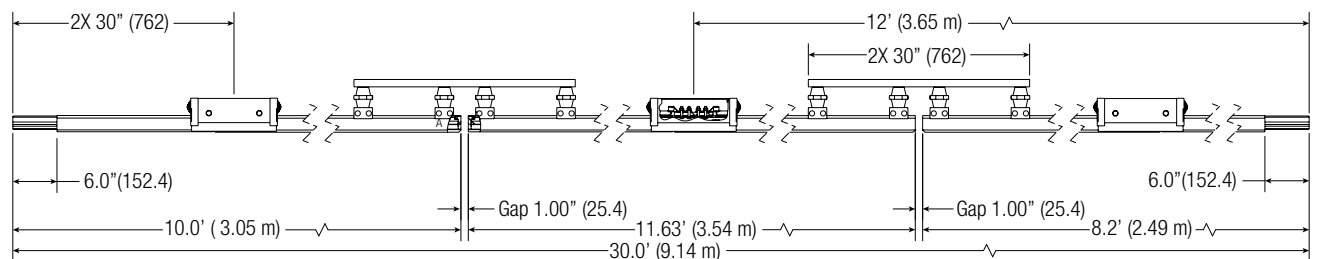
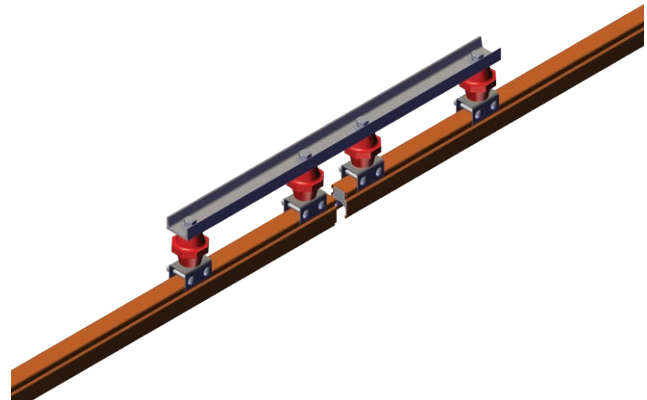
## Expansion Section

Use (Color) / Temperature Rating	Standard	DURA-COAT
Phase / Indoors (Orange) 160° F	XA-23512	XA-50743-J
Phase / Indoors (Green) 160° F	XA-23512G	XA-50743G-J
Phase / Outdoors UV Stable (Black) 160° F	XA-23512C	XA-50743B-J
Ground / Outdoors UV Stable (Green) 160° F	XA-23512E	XA-50743C-J
Phase / Indoors & Outdoors (Red) 250° F	XA-50941	XA-50817-J
Ground / Indoors & Outdoors (Green) 250° F	XA-50941G	XA-501817G-J
Fiberglass Reinforced Polyester -60° to 280° F	XA-23514	N/A
Weight: lb. (kg)	40.0 (18.14)	40.0 (18.14)



## Power Interrupting Section

Use (Color) / Temperature Rating	Standard	DURA-COAT
Phase / Indoors (Orange) 160° F	XA-50755	XA-50758-J
Phase / Outdoors UV Stable (Black) 160° F	XA-50755B	XA-50755B-J
Phase / Indoors & Outdoors (Red) 250° F	XA-50756	XA-50759-J
Fiberglass Reinforced Polyester -60° to 280° F	XA-50757	N/A
Weight: lb (kg)	79.0 (35.83)	77.0 (34.92)
Length: ft (m)	30.0 (9.144)	30.0 (9.144)



# 1000 Amp

## Hangers

Should be installed on brackets with a minimum thickness of 1/2" (12.7 mm).

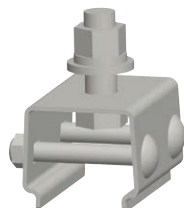
For 700 Amp to 1500 Amp Bar	Plated Hardware	Stainless Steel Hardware	High Temp	Weight - lb. (kg)
Polycarbonate Snap-In	XA-23223	XA-28220	N/A	0.27 (0.13)
Polycarbonate Snap-In with Insulator	XA-24902	XA-24902B	N/A	0.83 (0.40)
Stainless Steel Cross Bolt	XA-27481	XA-27788	XA-51972	0.58 (0.28)
Stainless Steel Cross Bolt with Insulator	XA-27482	XA-32807	XA-588232	1.11 (0.53)



Polycarbonate Snap-In



Polycarbonate Snap-in w/Insulator



Stainless Steel Cross Bolt



Stainless Steel Cross Bolt w/Insulator



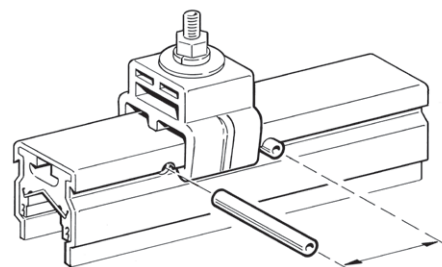
Stainless Steel Cross Bolt w/Insulator High Temp

## Anchor Pin

Anchor Pins turn a hanger into an anchor. (2) required per Hanger.

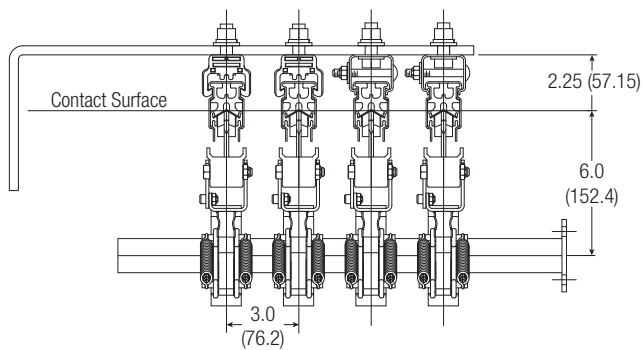
**NOTE:** Only for use with Plastic Hangers.

Part Number	Weight - lb. (kg)
XA-23946	0.1 (0.05)

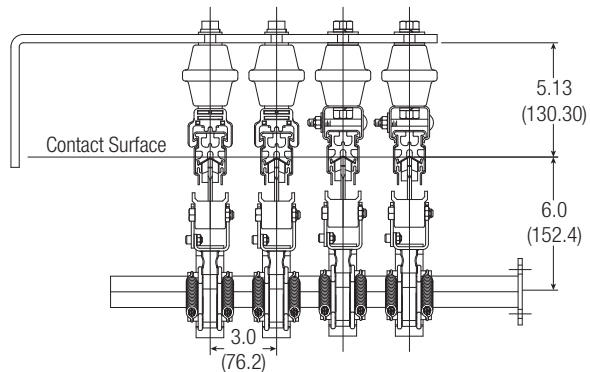


## 1000 Amp Installed Dimensions

### Standard Hanger



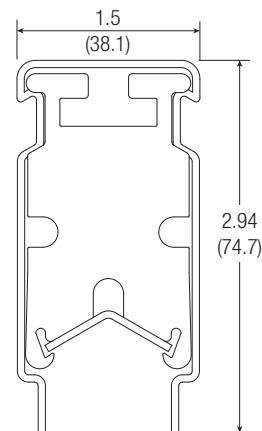
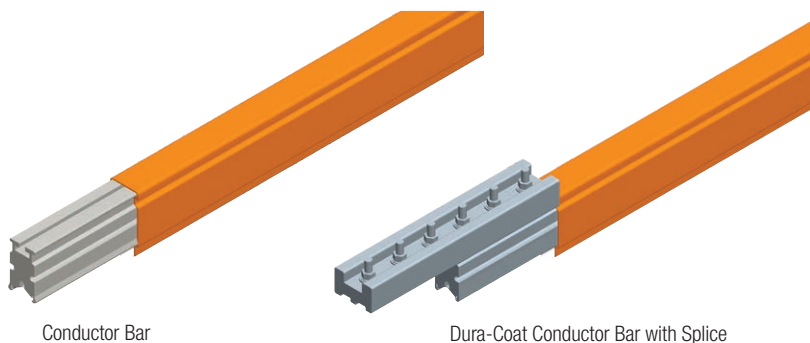
### With Insulators



# 1500 Amp

## Conductor Bar

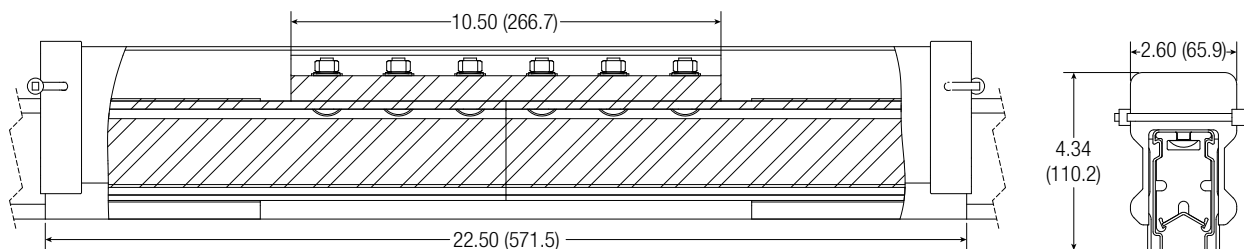
Type / Max Temp	Use (Color)	Standard	DURA-COAT with splice installed
		Conductor Bar	Conductor Bar
PVC 160° F	Phase / Indoors (Orange)	XA-24000	XA-50734-J
	Phase / Outdoors UV Stable (Black)	XA-24000C	XA-50734B-J
	Ground / Outdoors UV Stable (Green)	XA-24000D	XA-50734C-J
Polycarbonate 250° F	Phase / Indoors & Outdoors (Red)	XA-39296	XA-39430-J
	Ground / Indoors & Outdoors (Green)	XA-574096	XA-577244-J
Weight: lb. (kg)		96.0 (43.54)	97.0 (44)
Length: ft. (m)		30.0 (9.144)	30.0 (9.144)



## Splice

Type / Temperature Rating	Standard	DURA-COAT
	Splice	*Splice Cover
PVC / Indoors 160° F	XA-38968	XA-51297
PVC / Outdoors UV Stable 160°F	XA-38968	XA-51297
Polycarbonate / Indoors & Outdoors 250° F	XA-34802	XA-51297B
Weight: lb (kg)	3.8 (1.72)	1.4 (0.64)

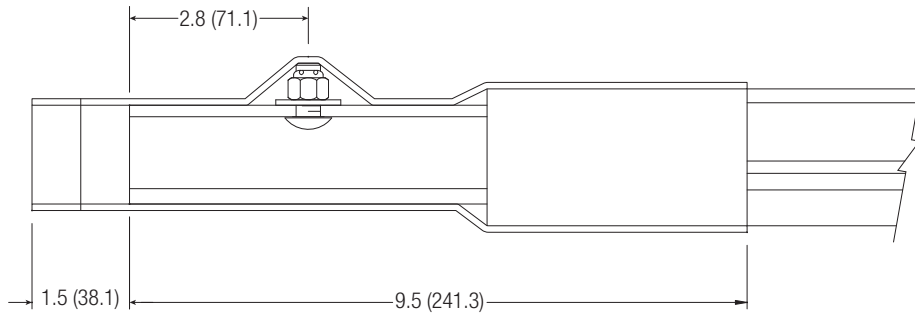
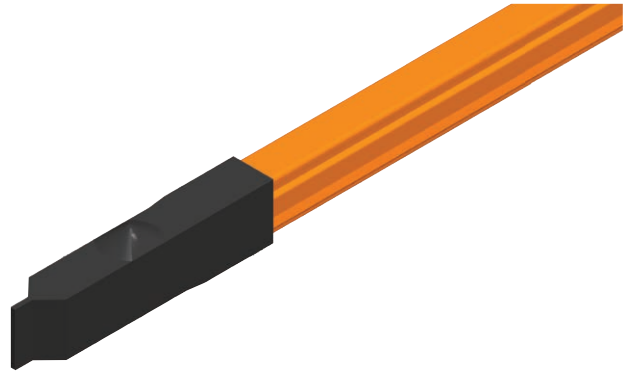
\* DURA-COAT bar comes with splices installed. The above part number represents only the Splice Cover.



# 1500 Amp

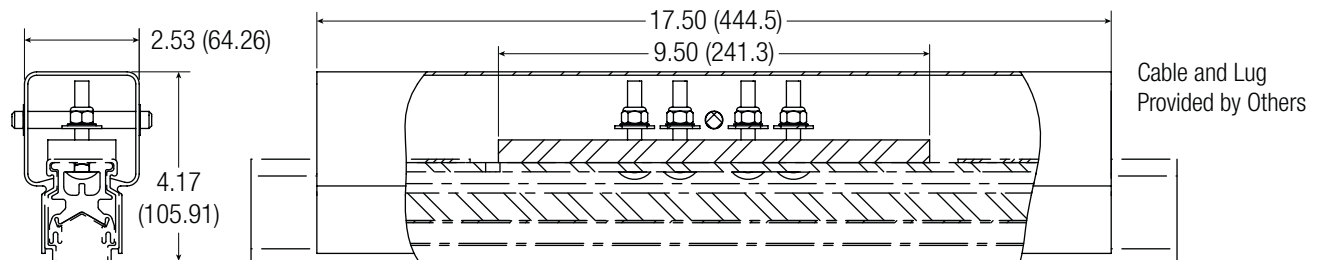
## End Cover

Type / Temperature Rating	Part No.
Phase & Ground for both Standard & DURA-COAT / all temperatures	XA-33796B
Weight: lb (kg)	1.72 (0.78)



## Power Feed

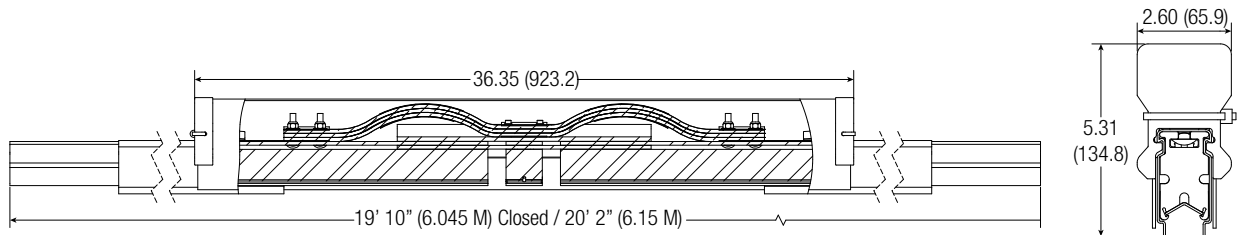
Type / Temperature Rating	Standard	DURA-COAT
PVC 160° F	XA-50227	XA-50227
Polycarbonate 250° F	XA-50227C	XA-50227C
Fiberglass Reinforced Polyester -60° to 280° F	XA-23530	N/A
Weight: lb (kg)	2.3 (1.04)	2.3 (1.04)



# 1500 Amp

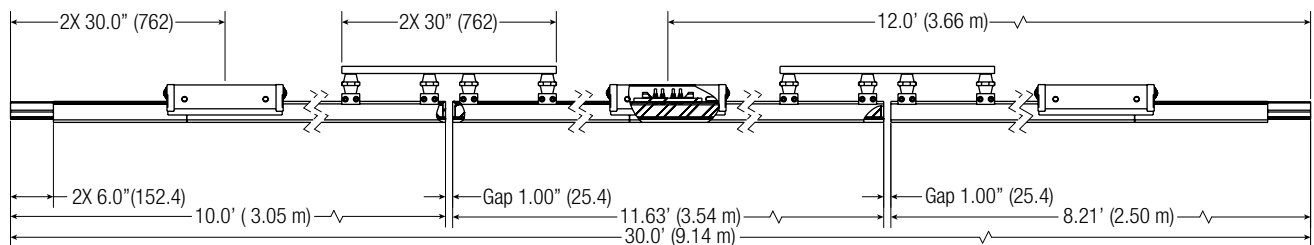
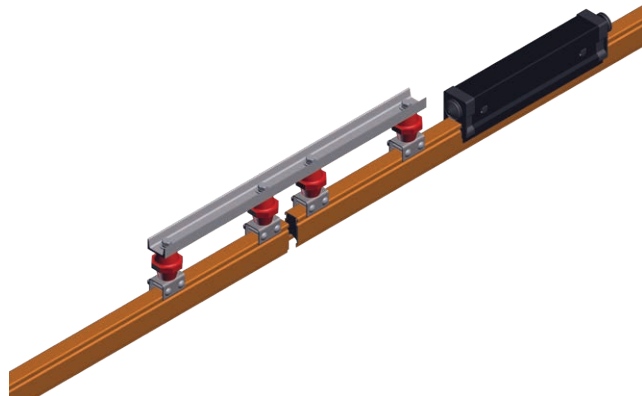
## Expansion Section

Use (Color) / Temperature Rating	Standard	DURA-COAT
Phase / Indoors (Orange) 160° F	XA-32820	XA-50742-J
Phase / Indoors (Green) 160° F	XA-32820G	XA-50742G-J
Phase / Outdoors UV Stable (Black) 160° F	XA-38952	XA-50742B-J
Ground / Outdoors UV Stable (Green) 160° F	XA-38952G	XA-50742D-J
Phase / Indoors & Outdoors (Red) 250° F	XA-39287	XA-50060-J
Ground / Indoors & Outdoors (Green) 250° F	XA-39287G	XA-50060G-J
Weight: lb. (kg)	71.0 (32.21)	72.0 (32.66)



## Power Interrupting Section

Use (Color) / Temperature Rating	Standard	DURA-COAT
Phase / Indoors (Orange) 160° F	XA-50760	XA-50762-J
Phase / Outdoors UV Stable (Black) 160° F	XA-50760B	XA-50762B-J
Phase / Indoors & Outdoors (Red) 250° F	XA-50761	XA-50763-J
Weight: lb (kg)	123.0 (55.80)	126 (57.15)
Length: ft (m)	30.0 (9.144)	30.0 (9.144)



# 1500 Amp

## Hangers

Should be installed on brackets with a minimum thickness of 1/2" (12.7 mm).

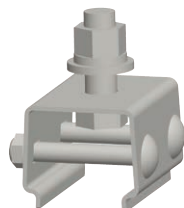
For 700 Amp to 1500 Amp Bar	Plated Hardware	Stainless Steel Hardware	High Temp	Weight - lb. (kg)
Polycarbonate Snap-In	XA-23223	XA-28220	N/A	0.27 (0.13)
Polycarbonate Snap-In with Insulator	XA-24902	XA-24902B	N/A	0.83 (0.40)
Stainless Steel Cross Bolt	XA-27481	XA-27788	XA-51972	0.58 (0.28)
Stainless Steel Cross Bolt with Insulator	XA-27482	XA-32807	XA-588232	1.11 (0.53)



Polycarbonate Snap-In



Polycarbonate Snap-in w/Insulator



Stainless Steel Cross Bolt



Stainless Steel Cross Bolt w/Insulator



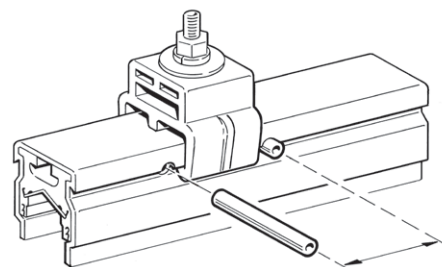
Stainless Steel Cross Bolt w/Insulator High Temp

## Anchor Pin

Anchor Pins turn a hanger into an anchor. (2) required per Hanger.

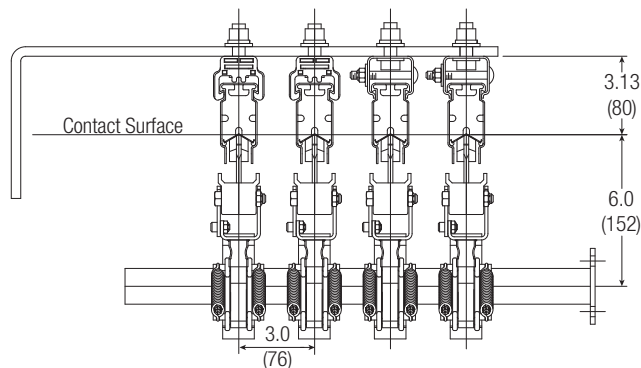
**NOTE:** Only for use with Plastic Hangers.

Part Number	Weight - lb. (kg)
XA-23946	0.1 (0.05)

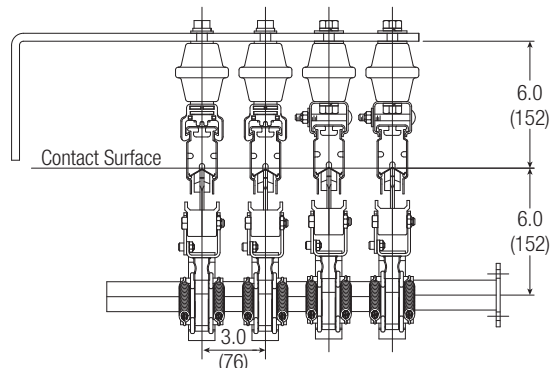


## 1500 Amp Installed Dimensions

### Standard Hanger



### With Insulators





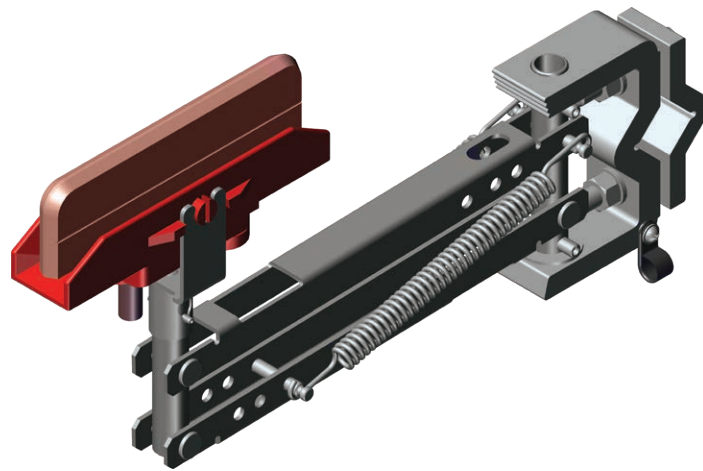
# Collectors & Replacement Shoes

All collectors include long-wearing copper graphite shoes (in holders) and “pigtail” wiring as noted below.

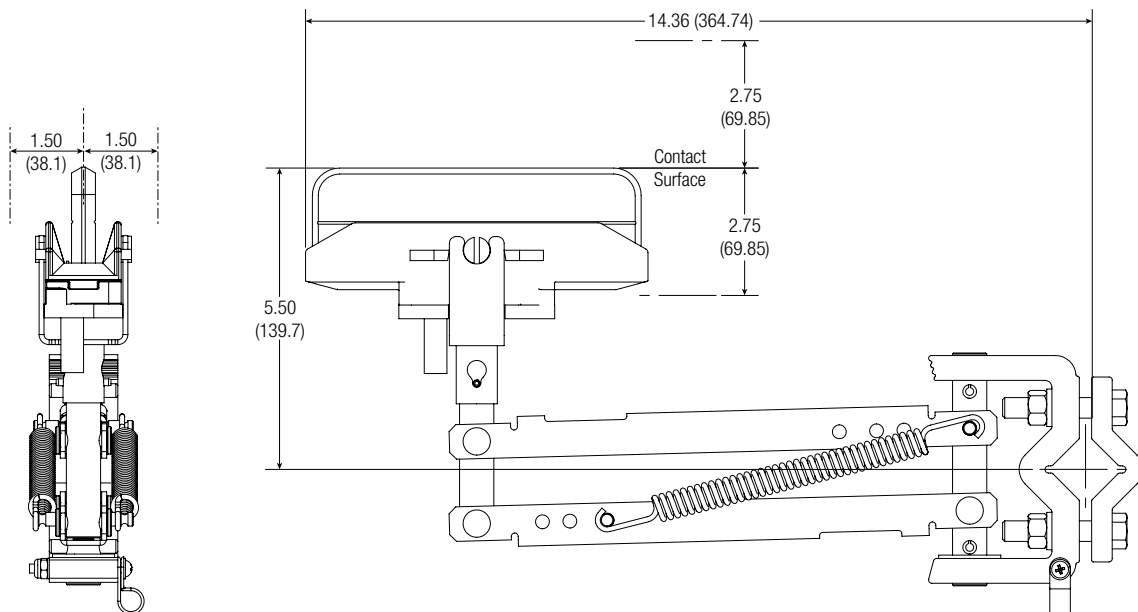
## 125 Amp Single Collector

21” long pigtails, 4 AWG, are supplied on the collector. Customer supplied wiring connects to the collector pigtail with in-line connectors.

Used on 500A conductor bar only.



Type	Part No.	Weight - lb (kg)
Standard Collector with Shoes	XA-30388	3.50 (1.58)
Stainless Steel Collector with Shoes	XA-50205	3.58 (1.76)
Lateral Mount Collector with Shoes	XA-532272	3.99 (1.81)
Corrosive Environment Collector with Shoes	XA-588351	6.54 (2.96)
Replacement Shoe (2 required per collector)	XA-30516	6.32 (2.87)
Cast Iron Cleaning Shoe (2 required per collector)	XA-39166	1.38 (0.63)



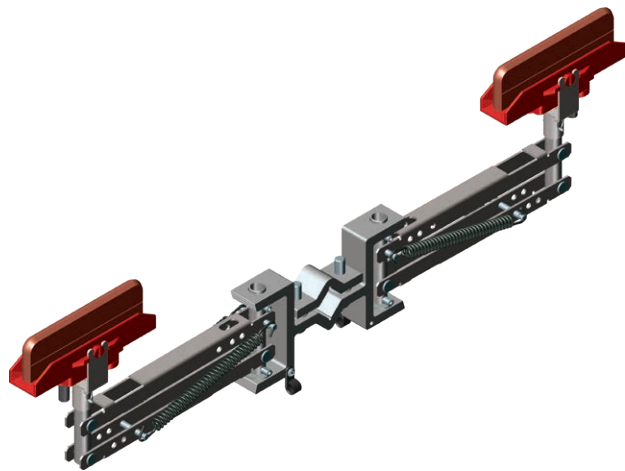
# Collectors & Replacement Shoes

All collectors include long-wearing copper graphite shoes (in holders) and "pigtail" wiring as noted below.

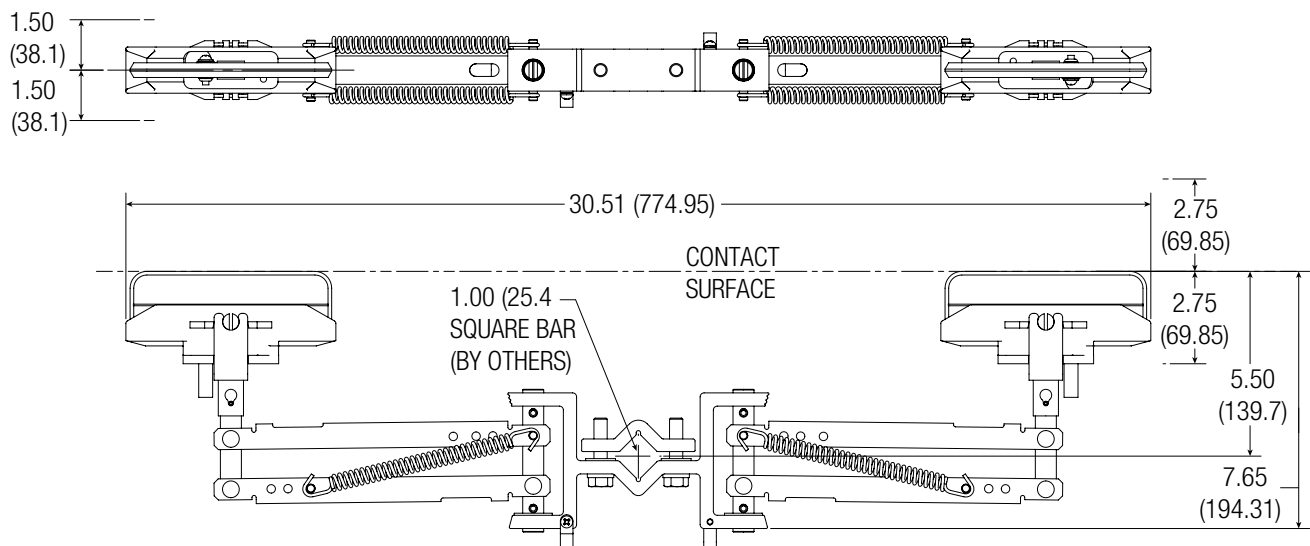
## 250 Amp Tandem Collector

21" long pigtails, 4 AWG, are supplied on the collector. Customer supplied wiring connects to the collector pigtail with in-line connectors.

Used on 500A conductor bar only.



Type	Part No.	Weight - lb. (kg)
Standard Collector with Shoes	XA-HB2C-250T-21	5.74 (2.60)
Stainless Steel Collector with Shoes	XA-39752	6.76 (3.06)
Lateral Mount Collector with Shoes	XA-HB2C-250T-21-LATL	6.93 (3.14)
Corrosive Environment Collector with Shoes	XA-583623	6.54 (2.96)
Replacement Shoe (2 required per collector)	XA-30516	1.0 (0.45)
Cast Iron Cleaning Shoe (2 required per collector)	XA-39166	1.38 (0.63)

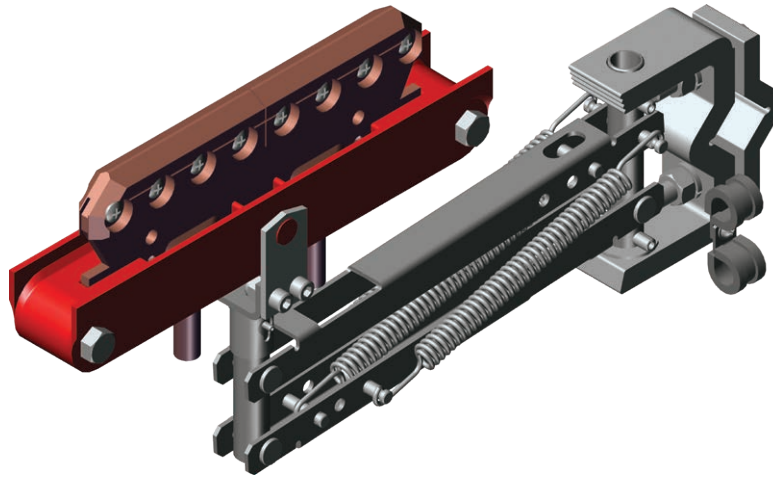


# Collectors & Replacement Shoes

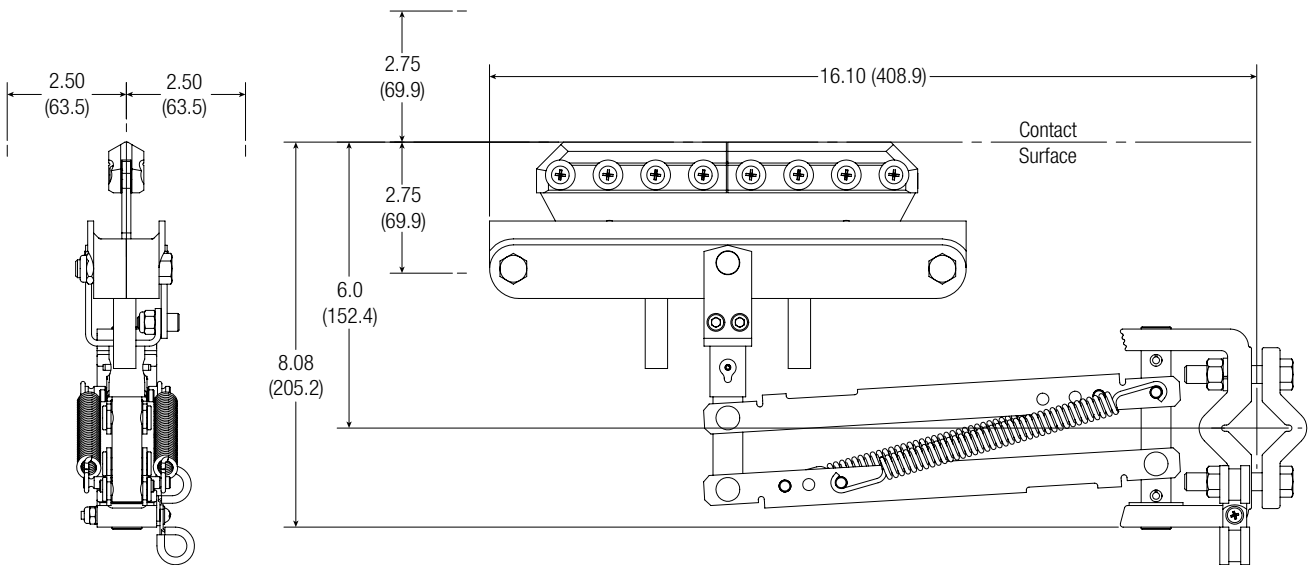
All collectors include long-wearing copper graphite shoes (in holders) and “pigtail” wiring as noted below.

## 200 Amp Single Collector

42” long pigtails, 2 AWG, are supplied on the collector. Customer supplied wiring connects to the collector pigtail with in-line connectors. **Used on 700A - 1500A conductor bar only.** Note that the 300A version is the same as the 200A, except with an extra tension spring on the arm.



Type	Part No.	Weight - lb. (kg)
Standard Collector with Shoe	XA-24060	6.79 (3.08)
Stainless Steel Collector with Shoe	XA-51522	6.87 (3.11)
300 Amp Standard Collector with Shoe.	XA-24060Q	6.89 (3.12)
Replacement Shoe for Standard or Stainless	XA-11417X	0.76 (0.34)

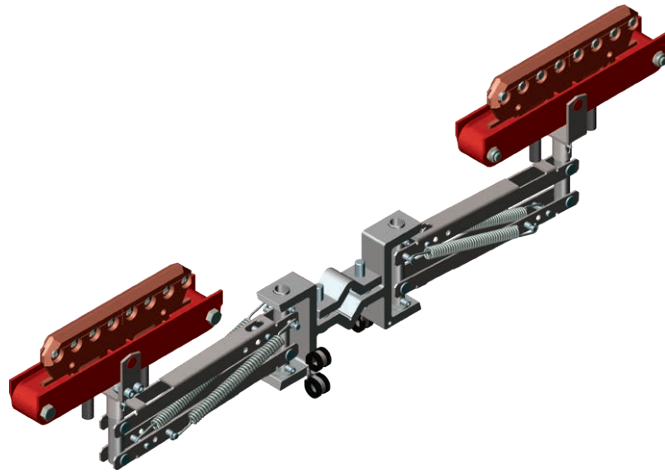


# Collectors & Replacement Shoes

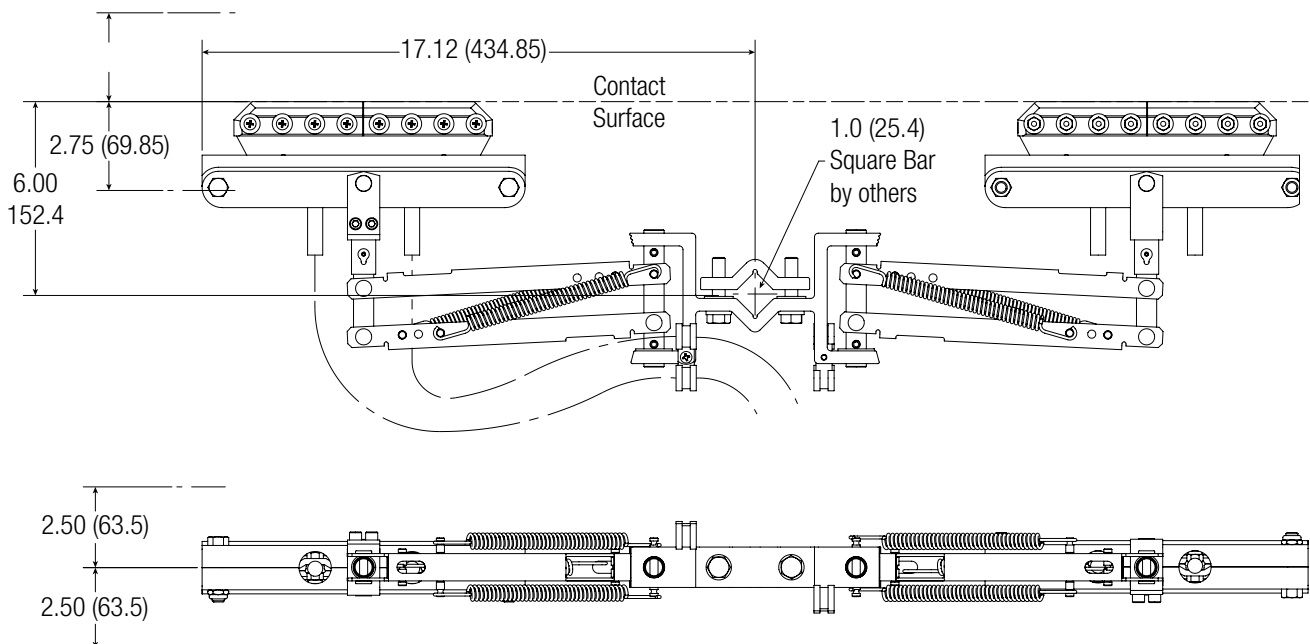
All collectors include long-wearing copper graphite shoes (in holders) and “pigtail” wiring as noted below.

## 400 Amp Tandem Collector

42” long pigtails, 2 AWG, are supplied on the collector. Customer supplied wiring connects to the collector pigtail with in-line connectors. **Used on 700A - 1500A conductor bar only.** Note that the 600A version is the same as the 400A, except with one extra tension spring on each arm.



Type	Part No.	Weight - lb. (kg)
Standard Collector with Shoes	XA-HB2C-400T-42	13.05 (6.04)
Stainless Steel Collector with Shoes	XA-39848	13.25 (6.01)
600 Amp Standard Collector with Shoes	XA-HB2C-600T-42	13.05 (6.04)
Replacement Shoe (2 required per collector)	XA-11417X	1.0 (0.45)



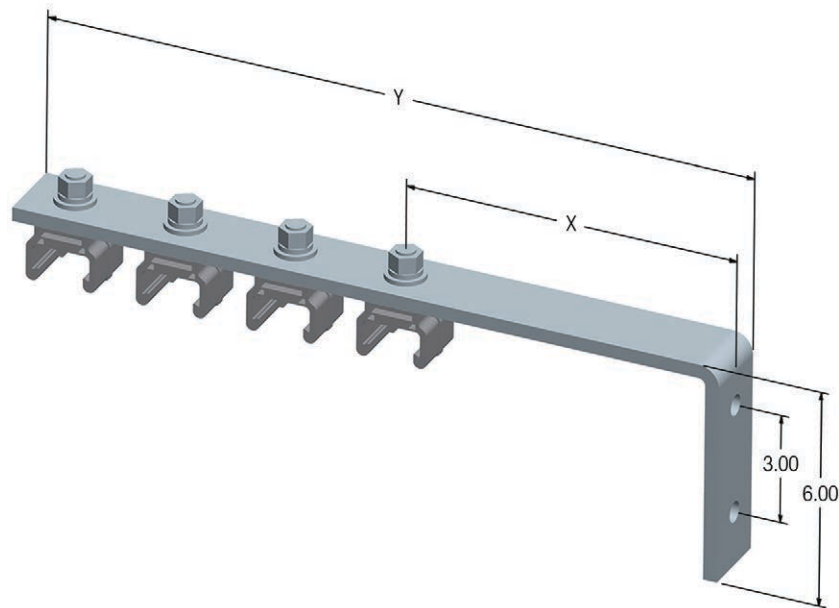
# 500 Amp - 700 Amp Support Brackets

The Hevi-Bar II Support Brackets listed below are for 500A - 700A conductors. They are available in three types as listed below and can be ordered in five different configurations:

- Bracket only (no hangers included)
- Bracket with four pre-installed hangers - standard Polycarbonate
- Bracket with four pre-installed hangers - standard Polycarbonate w/insulators
- Bracket with four pre-installed hangers - stainless steel cross-bolt
- Bracket with four pre-installed hangers - stainless steel cross-bolt w/insulators

All holes to accept hangers are 3" on-center and .56" diameter.

## Web Bracket

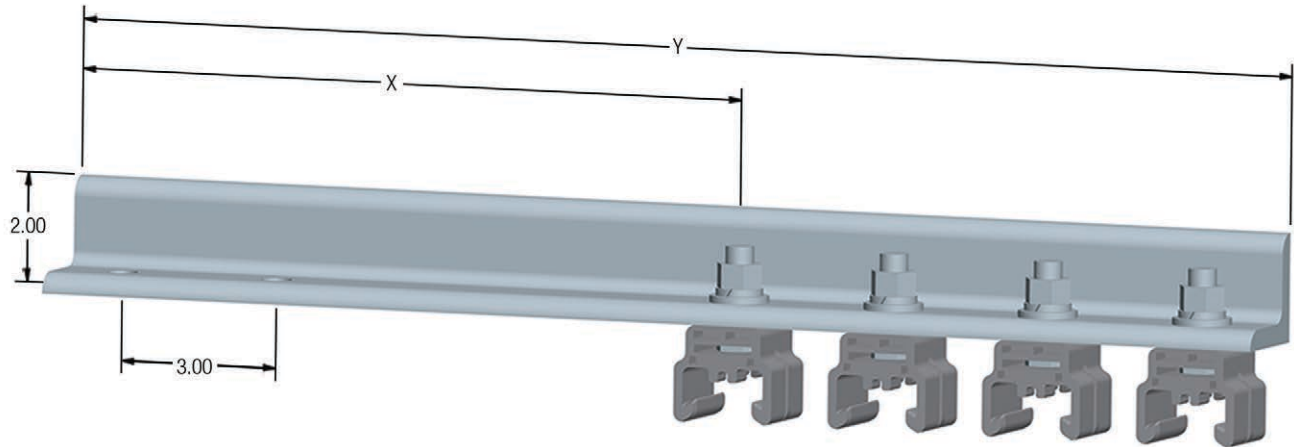


Ampacity	Bracket Finish	Dim X Inches (mm)	Dim Y Inches (mm)	Part No. Bracket Only	Wt. lb. (kg)	Part Numbers - With Four Hangers Pre-Installed			
						Standard Polycarbonate	Standard Polycarbonate with Insulator	Stainless Steel Crossbolt	Stainless Steel Crossbolt with Insulator
500	Plated Steel	6.0 (152)	16.25 (413)	XA-29441	4.4 (2.00)	XA-29440	XA-29440B	XA-29440C	XA-29440D
	Plated Steel	9.0 (229)	19.25 (489)	XA-30503	5.2 (2.36)	XA-51785	XA-51785B	XA-51785C	XA-51785D
	Plated Steel	11.0 (279)	21.25 (540)	XA-33655	7.3 (3.31)	XA-38268	XA-38268B	XA-38268C	XA-38268D
	Stainless Steel	9.0 (229)	19.0 (483)	XA-35337	6.7 (3.04)	XA-51786	XA-51786B	XA-51786C	XA-51786D
	Hot Dip Galvanized	9.0 (229)	19.25 (489)	XA-30697	5.0 (2.27)	XA-34814	XA-34814B	XA-34814C	XA-34814D
700	Plated Steel	6.0 (152)	16.25 (413)	XA-29441	4.4 (2.0)	XA-537794	XA-537794B	XA-537794C	XA-537794D
	Plated Steel	9.0 (229)	19.25 (489)	XA-30503	5.2 (2.36)	XA-537796	XA-537796B	XA-537796C	XA-537796D
	Plated Steel	11.0 (279)	21.25 (540)	XA-33655	7.3 (3.31)	XA-537795	XA-537795B	XA-537795C	XA-537795D
	Plated Steel	9.0 (229)	19.25 (489)	XA-30697	5.0 (2.27)	XA-537797	XA-537797B	XA-537797C	XA-537797D

# 500 Amp - 700 Amp Support Brackets

## Flange Bracket

Mounts to top flange of beam. Bracket is a 2"x 2" angle, by 3/8" thick. The first hole is 1 1/4" from the end.



Ampacity	Bracket Finish	Dim X Inches (mm)	Dim Y Inches (mm)	Part No. Bracket Only	Wt. lb. (kg)	Part Numbers - With Four Hangers Pre-Installed			
						Standard Polycarbonate	Standard Polycarbonate with Insulator	Stainless Steel Crossbolt	Stainless Steel Crossbolt with Insulator
500	Plated Steel	13.25 (337)	23.50 (597)	XA-30529	8.8 (4.0)	XA-30493	XA-30493B	XA-51878C	XA-51878D
700	Plated Steel	13.25 (337)	23.50 (597)	XA-30529	8.8 (4.0)	XA-51878	XA-51878B	XA-51878C	XA-51878D

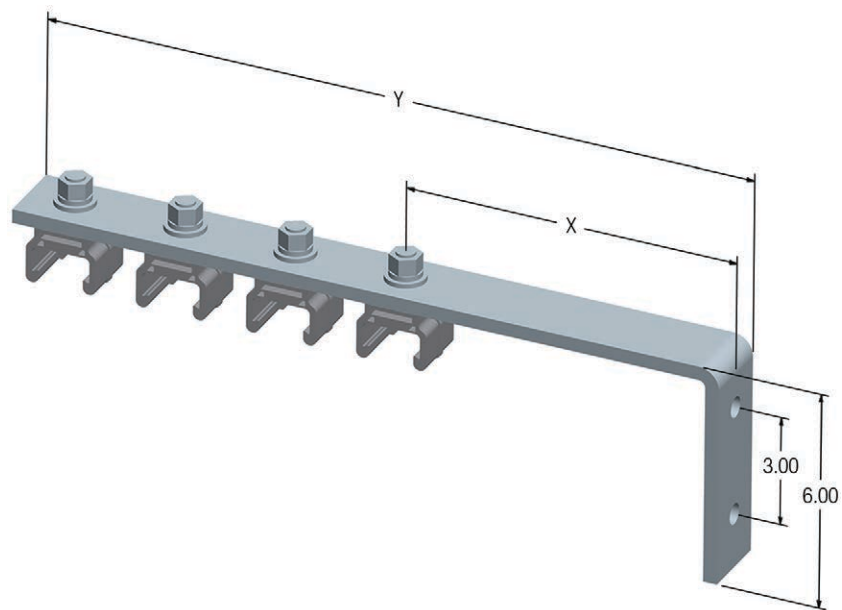
# 1000 Amp - 1500 Amp Support Brackets

The Hevi-Bar II Support Brackets listed below are for 1000A or 1500A conductors. They are available in three types as listed below, and can be ordered in five different configurations:

- Bracket only (no hangers included)
- Bracket with four pre-installed hangers - standard Polycarbonate
- Bracket with four pre-installed hangers - standard Polycarbonate w/insulators
- Bracket with four pre-installed hangers - stainless steel cross-bolt
- Bracket with four pre-installed hangers - stainless steel cross-bolt w/insulators

All holes to accept hangers are 3" on-center and .56" diameter.

## Web Bracket

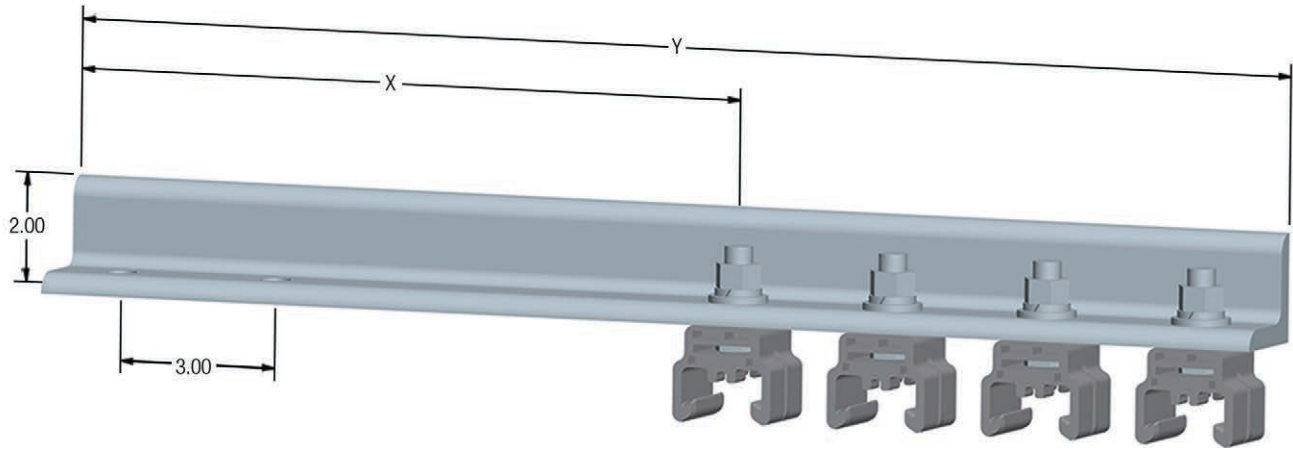


Bracket Finish	Dim X Inches (mm)	Dim Y Inches (mm)	Part No. Bracket Only	Wt. lb. (kg)	Part Numbers - With Four Hangers Pre-Installed			
					Standard Polycarbonate	Standard Polycarbonate with Insulator	Stainless Steel Crossbolt	Stainless Steel Crossbolt with Insulator
Plated Steel	6.0 (152)	16.25 (413)	XA-537552	5.9 (2.68)	XA-32893	XA-32893B	XA-32893C	XA-32893D
Plated Steel	9.0 (229)	19.25 (489)	XA-537554	6.7 (3.04)	XA-39923	XA-39923B	XA-39923C	XA-39923D
Hot Dip Galvanized	9.0 (229)	19.25 (489)	XA-537555	6.7 (3.04)	XA-32932	XA-32932B	XA-32932C	XA-32932D

# 1000 Amp - 1500 Amp Support Brackets

## Flange Bracket

Mounts to top flange of beam. Bracket is a 2"x 2" angle, by 3/8" thick. The first hole is 1 1/4" from the end.



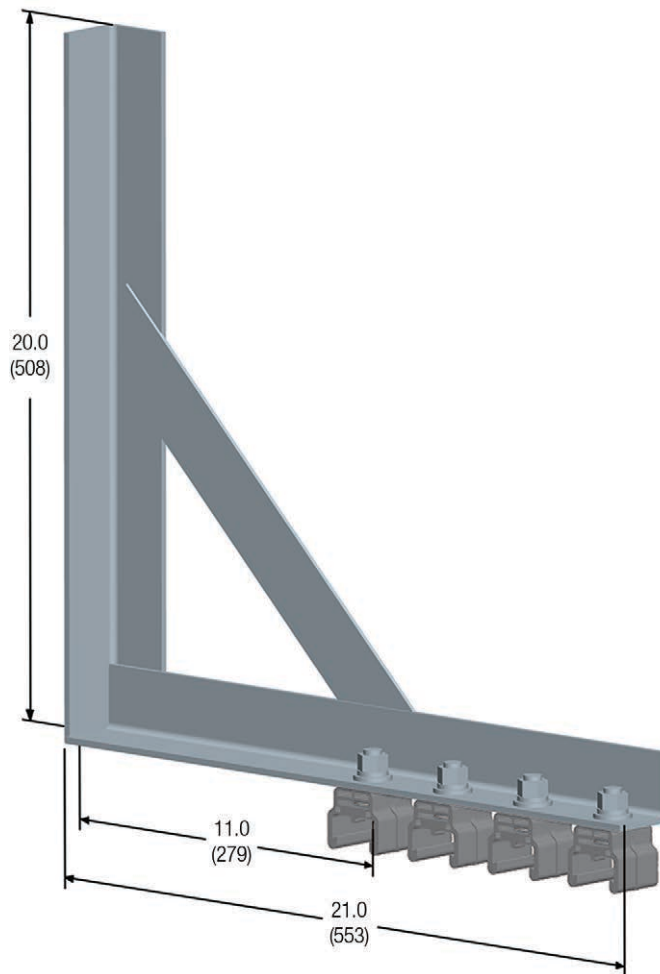
Bracket Finish	Dim X Inches (mm)	Dim Y Inches (mm)	Part No. Bracket Only	Wt. lb. (kg)	Part Numbers - With Four Hangers Pre-Installed			
					Standard Polycarbonate	Standard Polycarbonate with Insulator	Stainless Steel Crossbolt	Stainless Steel Crossbolt with Insulator
Plated Steel	13.25 (337)	23.50 (597)	XA-30529	8.5 (3.8)	XA-51878	XA-51878B	XA-51878C	XA-51878D



# 1000 Amp - 1500 Amp Support Brackets

## Braced Web Bracket

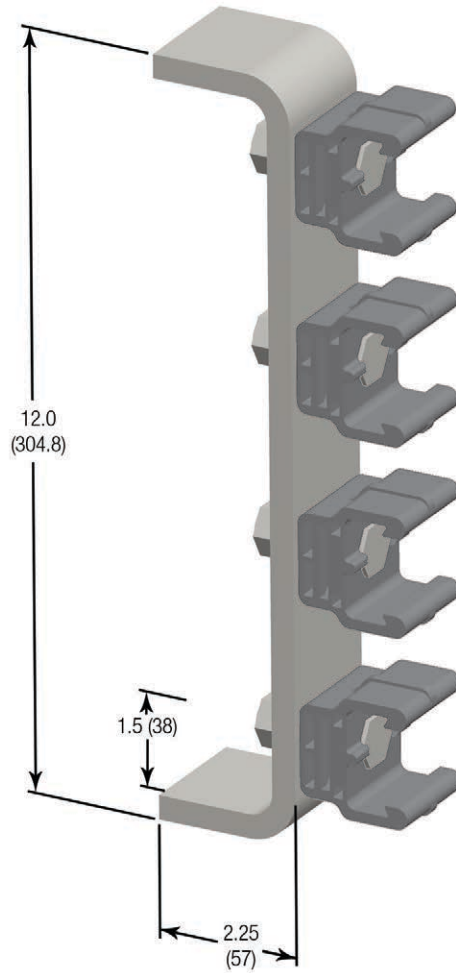
Plated steel weldment with brace, used for heavier conductor bar (e.g. 1500A).



Description	Hanger Type	Part Number	Weight - lb. (kg)
Bracket Only	n/a	XA-25720	9.5 (4.30)
Bracket with 4 Hangers Installed	Polycarbonate	XA-25691	10.5 (4.76)
Bracket with 4 Hangers Installed	Polycarbonate with Insulators	XA-25691B	14.2 (6.44)
Bracket with 4 Hangers Installed	Stainless Steel Cross Bolt	XA-25691C	11.9 (5.40)
Bracket with 4 Hangers Installed	Stainless Steel Cross Bolt with Insulators	XA-25691D	14.1 (4.39)

# Lateral Bracket

## Braced Web Bracket



Description	Hanger Type	Amperage	Part Number	Weight - lb. (kg)
Bracket Only	n/a	All	XA-50498	3.1 (1.41)
Bracket with 4 Hangers Installed	Polycarbonate	700, 1000,1500	XA-51876	4.3 (1.95)
Bracket with 4 Hangers Installed	Polycarbonate with Insulators	700, 1000, 1500	XA-51876B	7.5 (3.40)
Bracket with 4 Hangers Installed	Stainless Steel Cross Bolt	All	XA-51876C	5.8 (2.63)
Bracket with 4 Hangers Installed	Stainless Steel Cross Bolt with Insulators	All	XA-51876D	8.8 (3.99)

# Specifications

## Conductor Bar Cover

	Cover Type:				
	Standard (Ground)	UV Resistant	Medium Heat	Extreme Heat*	Bare Bar
Material	PVC	PVC	Polycarbonate	Fiberglass Reinforced	N/A
Color	Orange (Green)	Black / Green	Red / Green	Orange / Green	No Color
Temperature Rating	-10° F to 160° F -23° C to 71° C	-10° F to 160° F -23° C to 71° C	-25° F to 250° F -31° C to 121° C	-60° F to 280° F -51° C to 137.7° C	-40° F to 690° F -40° C to 365.5° C
Dielectric Strength	450 volts/mil	450 volts/mil	600 volts/mil	200 volts/mil	N/A
Volume Resistivity	>10 <sup>12</sup> (Ω/mil)	>10 <sup>12</sup> (Ω/mil)	>10 <sup>13</sup> (Ω/mil)	>10 <sup>11</sup> (Ω/mil)	N/A
Flame Test	Self Extinguishing	Self Extinguishing	Self Extinguishing	Self Extinguishing	N/A
Specific Density	1.5 g/cm <sup>3</sup>	1.5 g/cm <sup>3</sup>	1.15 g/cm <sup>3</sup>	1.24 g/cm <sup>3</sup>	N/A

\* 700 Amp and 1000 Amp only

## Conductor Bar

	Nominal Current of Bar:			
	500 Amp	700 Amp	1000 Amp	1500 Amp
Cross Sectional Area, in. (mm)	0.45 (11.4)	0.70 (17.8)	1.05 (26.7)	2.29 (58.2)
AC & DC Voltage	600	600/4160	600/4160	600/4160
DC Resistance at 20° C (Ω/ft.)	3.27 x 10 <sup>-5</sup>	2.11 x 10 <sup>-5</sup>	1.41 x 10 <sup>-5</sup>	0.64 x 10 <sup>-5</sup>
Phase Corrected Impedance Z at 20° C (Ω/ft.)	5.40 x 10 <sup>-5</sup>	4.21 x 10 <sup>-5</sup>	3.39 x 10 <sup>-5</sup>	2.28 x 10 <sup>-5</sup>
Conductor Length - ft. (m)	30.0 (9.1)	30.0 (9.1)	30.0 (9.1)	30.0 (9.1)
Support Spacing - ft. (m)	5 (1.52)	7.5 (2.28)	10 (3.05)	10 (3.05)
Spacing Between Conductors - in. (mm)	3.0 (76.2)	3.0 (76.2)	3.0 (76.2)	3.0 (76.2)
Expansion Sections not required for runs less than - ft. (m)	390 (11.9)	390 (11.9)	390 (11.9)	390 (11.9)
Minimum Bending Radius - ft. (m)	8.0 (2.4)	10.0 (3.05)	12.0 (3.7)	15.0 (4.6)

## Corrosion Protection

Hardware Type	Duty
Zinc Plated	Moderate
Stainless Steel	Severe
DURA-COAT	Extreme Duty

### Available Accessories (Contact Conductix-Wampfler)

- Thermostatically controlled heater wire system, for ice and snow environments (500A only)
- Transfer Caps for switches
- Pick-up Guides for discontinuous systems
- Vertical and horizontal curves

The appropriate conductor bar can be chosen only when all the relevant factors are known. Please refer to the Specification Data Sheet on Pg. 6. Also, please consult Conductix-Wampfler Sales if you have any questions about the suitability of this product to your application.

# Notes

# Notes

# Notes

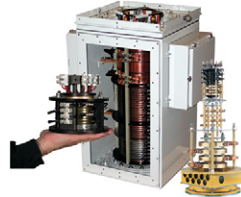
# Other Products from Conductix-Wampfler

The products described in this catalog represent a few of the products from the broad spectrum of Conductix-Wampfler components and systems for the transfer of energy, data, gases, and fluids. The solutions we deliver for your applications are based on your specific requirements. In many cases, a combination of several different Conductix-Wampfler products are needed to fill the application. You can count on all of Conductix-Wampfler's business units for hands-on engineering support - coupled with the perfect solution to meet your energy management and control needs.



### Motor driven cable reels

Motor driven reels by Conductix-Wampfler are the perfect solution for managing long lengths of heavy cable and hoses in very demanding industrial applications. Monospiral, level wind, and random wind spools.



### Slip ring assemblies

Whenever powered machinery needs to rotate 360°, field proven slip ring assemblies by Conductix-Wampfler can flawlessly transfer energy and data. Here, everything revolves around flexibility and reliability.



### Conductor bar

Whether they are enclosed conductor rails, expandable single-pole bar systems, or high amperage bar for demanding steel mill use up to 6000 amps. Conductix-Wampfler's conductor bar is the proven solution to reliably move people and material.



### Spring driven cable reels

We have 60 years experience and trusted brands such as Insul-8, Wampfler, and IER. We offer small cord reels all the way to large multi-motor units, a wide range of accessories, and hazardous location reels.



### Cable Festoon systems

It's hard to imagine Conductix-Wampfler cable trolleys not being used in virtually every industrial application. They are reliable and robust and available in an enormous variety of sizes and models.



### Push Button Pendants

Our ergonomic pendants are ideally suited for industrial control applications. They are available in a wide range of configurations for overhead cranes and other machinery.



### Radio remote controls

Safe, secure, and reliable radios use the latest in microprocessor technology. Available in several models for overhead crane control and other types of machinery.



### Inductive Power Transfer IPT®

The contact-less system for transferring energy and data. For all tasks that depend on high speeds and absolute resistance to wear.



### Data Transfer: ProfidAT® | Nexus

Safe & reliable wireless communication using slotted waveguide technology that's PROFI-safe compatible.

Nexus NB for narrow band signal transfer over power conductors



### LJU Automation EMS Controller

Specialized controllers Programmable by parameters, Ideal for Electrified Monorails at automotive plants, with over 1500 in service worldwide. Adaptable for other applications



### BridgeGuard™

Prevents crane to crane and crane to end collisions. IP69K rated for indoor and outdoor use, with a 3 ft to 150 ft range. Compliant with IEC 60068-2-6:2007



### Air & Spring balancers | Air hoists

Conductix-Wampfler offers the full line of ENDO positioning devices. Rugged, reliable steel construction increasing safety and decreasing fatigue and body stress.

# www.conductix.us

## USA / LATIN AMERICA

10102 F Street  
Omaha, NE 68127

Customer Support  
Phone +1-800-521-4888

Phone +1-402-339-9300  
Fax +1-402-339-9627

info.us@conductix.com  
latinamerica@conductix.com

## CANADA

1435 Norjohn Court  
Unit 5  
Burlington, ON L7L 0E6

Customer Support  
Phone +1-800-667-2487

Phone +1-450-565-9900  
Fax +1-450-951-8591

info.ca@conductix.com

## MÉXICO

Calle Treviño 983-C  
Zona Centro  
Apodaca, NL México 66600

Customer Support  
Phone (+52 81) 1090 9519  
(+52 81) 1090 9025  
(+52 81) 1090 9013

Fax (+52 81) 1090 9014

info.mx@conductix.com

## BRAZIL

Rua Dois, 493  
Itu, São Paulo, Brasil  
CEP: 13312-820

Customer Support  
Phone (+55 11) 4813 7330

Fax (+55 11) 4813 7330

info.br@conductix.com

Contact us for our Global Sales Offices

