

# Festoon Systems for I-Beams

Program 0366 | 0375 | 0380





# Table of Contents

---

## System Arrangement

Festoon System for Round Cables . . . . .	4
System Components . . . . .	4

---

## Cable Trolleys for Round Cables Program 0366

Single Layer Cable Trolleys with Main Rollers $\varnothing 112$ mm/ $\varnothing 125$ mm . . . . .	5
Selection of Cable Trolleys and Towing Trolleys . . . . .	6
Selection of End Clamps and Towing Clamps . . . . .	7
Selection of Running Gears . . . . .	7

---

## Cable Trolleys for Round Cables Program 0375

Dual Layer Cable Trolleys with Main Rollers $\varnothing 125$ mm/ $\varnothing 160$ mm . . . . .	9
Selection of Cable Trolleys and Towing Trolleys . . . . .	10
Selection of End Clamps and Towing Clamps . . . . .	11
Selection of Running Gears . . . . .	11

---

## Motorized Cable Trolleys Program 0380

Motorized Cable Trolley with 1.95 KW/ 3 KW Drive . . . . .	13
Selection of Motorized Cable Trolley 1.95 kW . . . . .	14
Selection of Motorized Cable Trolley 3 kW . . . . .	14
Selection of Additional Configurations . . . . .	15
Selection of Buffer Configuration . . . . .	15
Additional Cable Saddles . . . . .	15

---

## Accessories for Festoon Systems Program 0366, 0375 and 0380

Towing Ropes . . . . .	17
Damping Devices . . . . .	17
Cable Organizers for Cable Loops . . . . .	18
Additional Clamping Piece for Round Cable Clamps . . . . .	18
Anti-Wind Damping Device . . . . .	18
Round Cable Clamps . . . . .	19
Spacers . . . . .	20
Lifting Device . . . . .	20

---

## Control Cabinet / Wear Parts for Cable Trolleys Program 0366, 0375 and 0380

Festoon Control Cabinet . . . . .	21
Replacement Rollers for Running Gear Types HMG and HMP . . . . .	22
Shock Cords . . . . .	22
Cellular Buffer 100x150 . . . . .	23
Cellular Buffer 150x110x080 . . . . .	23
Buffer Units . . . . .	23

---

## Wear Parts for Motorized Cable Trolleys Program 0380

Driving Rollers for Motorized Cable Trolleys . . . . .	24
Horizontal Guide Rollers . . . . .	24
Anti-lift Plates . . . . .	24
Toothed Belts . . . . .	25
Silent Blocks . . . . .	25

---

## Spare Parts for Cable Trolleys Program 0366, 0375 and 0380

Cable Supports Complete/Clamping Bars Complete . . . . .	26
--	----

---

## Spare Parts for Cable Trolleys Program 0366

Side Shields Complete . . . . .	27
Running Gears Complete . . . . .	28

---

## Spare Parts for Cable Trolleys Program 0375

Side Shields Complete . . . . .	30
Running Gear Complete . . . . .	31

---

## Spare Parts for Motorized Cable Trolleys Program 0380

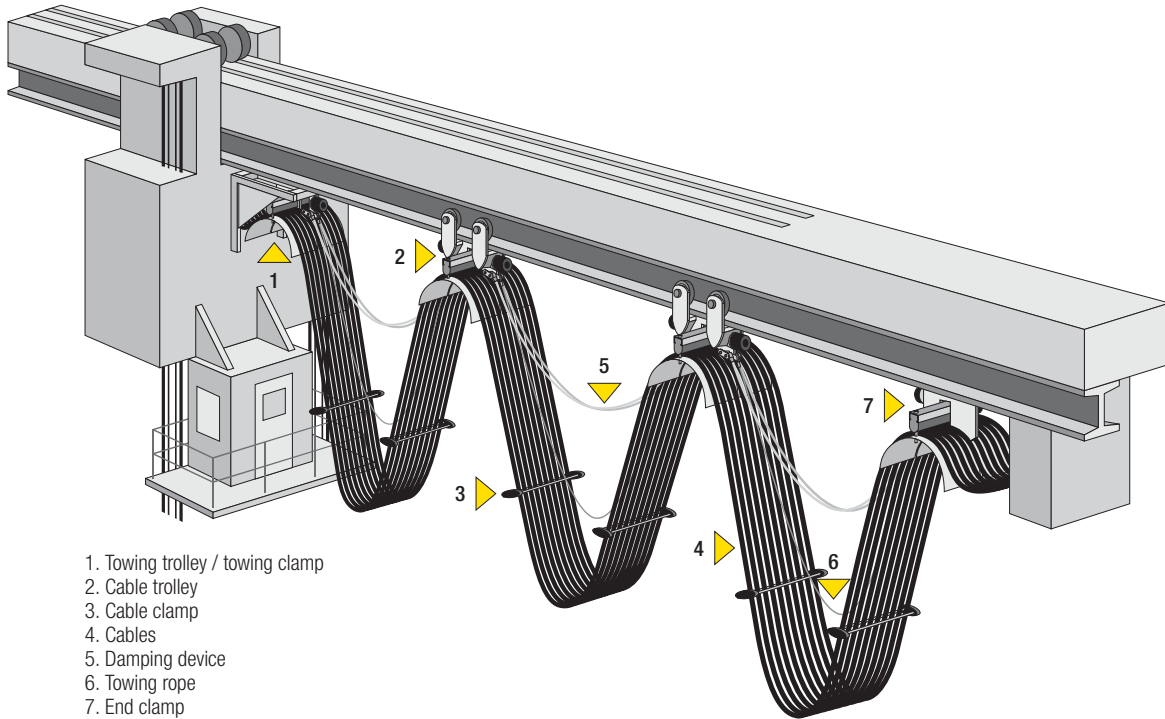
Motor Assemblies/Bearing Housings . . . . .	32
Tooth Discs/Magnetic End Switch . . . . .	33

---

## Technical Appendix Specification of Preference Range I-Beams

# System Arrangement

## Festoon System for Round Cables



1. Towing trolley / towing clamp
2. Cable trolley
3. Cable clamp
4. Cables
5. Damping device
6. Towing rope
7. End clamp

## System Components

A festoon system consists of the following components:

- 1 x end clamp
- X x cable trolley
- 1 x towing clamp or alternatively 1 x towing trolley
- Cable trolleys and towing trolleys require a running gear, which must be selected in addition to the trolley lower part
- Cable trolleys and towing trolleys are set to fit the exact track beam, in all cases the track beam must be specified
- The system components can be equipped with one additional cable support depending on the program.

To ensure optimum operation of the system, depending upon the application, various accessories must be added, e.g. flat or round cable clamps, towing ropes or damping devices.

The Order No. of the system components is determined by the combination of the following single sub-assemblies:

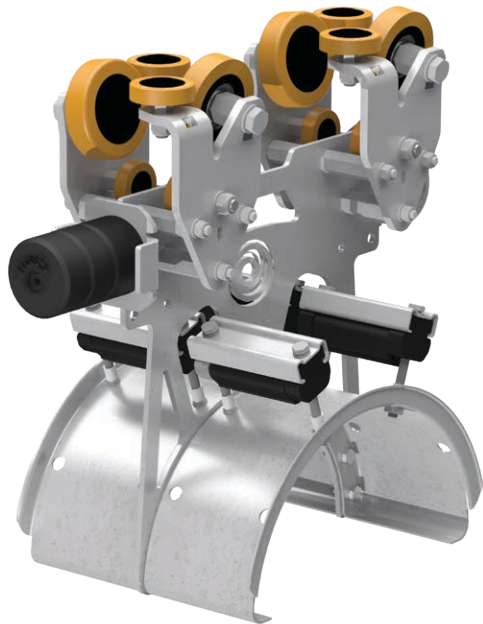
	Underpart with Cable Support	Running Gear	Track Beam Designation
Cable Trolley	•	•	•
Towing Trolley lower part	•	•	•
Towing Clamp	•	-	-
End Clamp	•	-	-

For order no. see the respective catalog pages of the programs.

The system components are completely assembled prior to delivery, cable trolleys and towing trolleys are adjusted to the respective track beam.

# Cable Trolleys for Round Cables Program 0366

Single Layer Cable Trolleys with Main Rollers  $\varnothing 112 \text{ mm} / \varnothing 125 \text{ mm}$



## Technical details

Cable supports	bolted to the center plate, lateral-loading and reinforced
Clamping bar	V-clamping (divided)
Buffers	cellular buffer on one side
Travel speed max. <sup>1)</sup>	300 m/min <sup>2)</sup>
Load capacity max. <sup>1)</sup>	350 kg
Cable trolley underpart and running gear	hot-dip galvanized steel
Fasteners	stainless steel
Temperature range	-30°C to +50°C

<sup>1)</sup> depending on roller size/ roller material

<sup>2)</sup> together with motorized trolleys

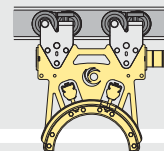
## Ordering Example

Order No. **036623-93 - 755 - 0124**

A cable trolley underpart with the following dimensions shall be used:

- Support diameter:  $d_a = 460 \text{ mm}$
- Clamping width:  $b_2 = 125 \text{ mm}$ ;
- Clamping height:  $s = 46 \text{ mm}$

Order No. **036623-93** (chosen from catalog page 6)

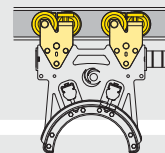


The following running gear has been chosen:

Type HMG

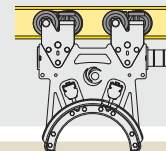
- Cylindrical main rollers  $\varnothing 112 \text{ mm}$  with PU bandage
- With horizontal guide rollers with polyurethane bandage
- With anti-lift rollers made of stainless steel

Order No. **755** (chosen from catalog page 7)



The following track beam has been chosen:

- IPE 240
- I-beam code **0124** (chosen from catalog page 7)



The order no. of the appropriate towing clamp is:

**036643-93**

As an alternative to the towing clamp a towing trolley can be used.

The order no. of the appropriate towing trolley is:

**036633-93-755-0124**

The order no. of the appropriate end clamp is:

**036613-93**

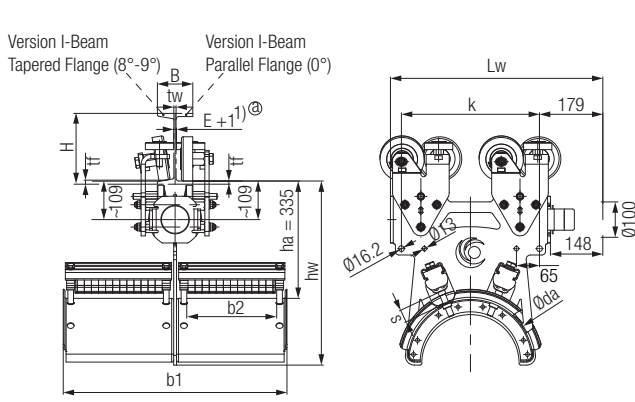
The order no. of the appropriate towing trolley for the connection to the catenary trolley is:

**036653-93-755-0124**

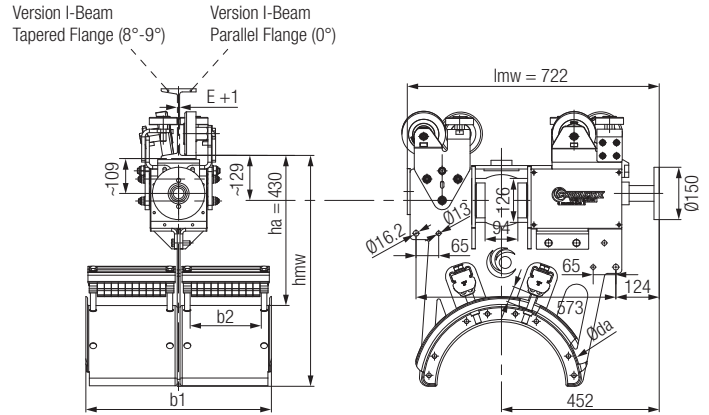
# Cable Trolleys for Round Cables Program 0366

## Selection of Cable Trolleys and Towing Trolleys

### Cable Trolley

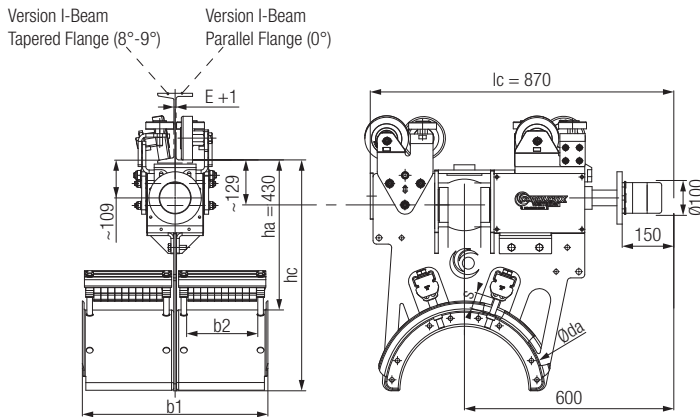


### Towing Trolley



Cable Trolley Underpart without Running Gear		Towing trolley without Running Gear		$d_a$	$l_w$	$b_1$	$b_2$	$s$	$k$	$h_w$	$h_{mw}$
Order No.	[kg]	Order No.	[kg]	[mm]	[mm]	[mm]	[mm]	[mm]	[mm]	[mm]	[mm]
036623-83	23	036633-83	61			384	125				
036623-86	27	036633-86	64	360	600	532	200	36	390	515	614
036623-88	29	036633-88	66			632	250				
036623-93	28	036633-93	65			384	125				
036623-96	32	036633-96	69	460	700	532	200	46	490	565	664
036623-98	35	036633-98	72			632	250				

### Towing Trolley for Catenary Trolley



### Notes on the directional installation of the festoon systems towing trolley at the cranes catenary trolley:

Please reference the system drawing in your order documentation.

In general, it is critical to point out:

The buffer unit of the towing trolley mounted to the cranes catenary trolley is oriented so that the buffer unit is pointing toward the towing unit of the festoon system.

### Notes:

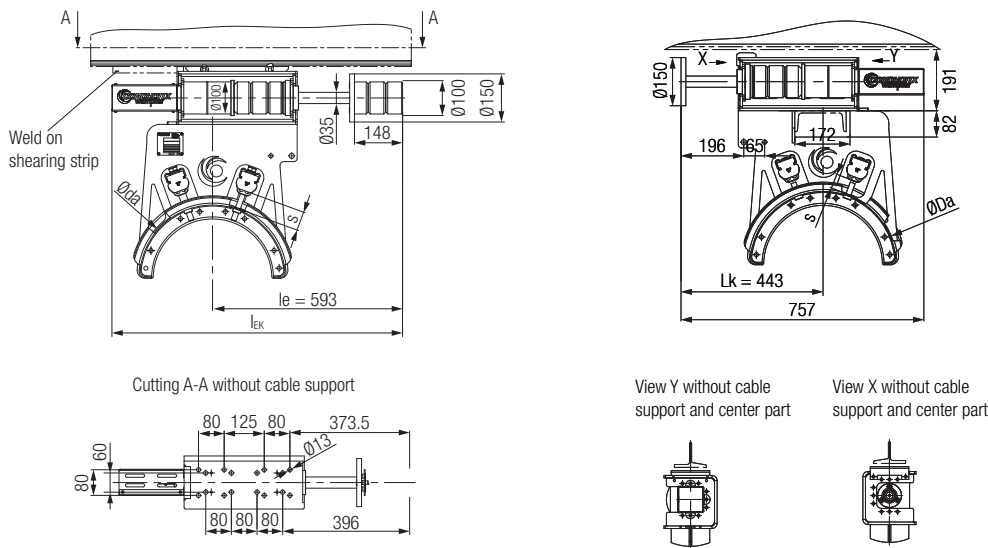
- The table only refers to the cable trolley or the towing trolley under part
- The running gear must be selected and added. (see page 5 in this catalog)
- Additional supports are not available in this program

Towing Trolley Underpart for Catenary – Trolley without Running Gear		$d_a$	$l_c$	$b_1$	$b_2$	$s$	$k$	$h_a$	$h_c$
Order No.	[kg]	[mm]	[mm]	[mm]	[mm]	[mm]	[mm]	[mm]	[mm]
036653-83	61			384	125				
036653-86	64	360	886	532	200	36	573	430	614
036653-88	66			632	250				
036653-93	65			384	125				
036653-96	69	460	886	532	200	46	573	430	664
036653-98	72			632	250				

# Cable Trolleys for Round Cables

## Program 0366

### Selection of End Clamps and Towing Clamps



End Clamp Complete		Towing Clamp Complete		d <sub>a</sub> [mm]	l <sub>EK</sub> /l <sub>MK</sub> [mm]	b <sub>1</sub> [mm]	b <sub>2</sub> [mm]	s [mm]	h <sub>EK</sub> /h <sub>MK</sub> [mm]
Order No.	[kg]	Order No.	[kg]						
036613-83	49	036643-83	49	360	907	384	125	36	643
036613-86	52	036643-86	52			532	200		
036613-88	54	036643-88	54			632	250		
036613-93	53	036643-93	53	460	907	384	125	46	687
036613-96	57	036643-96	57			532	200		
036613-98	60	036643-98	60			632	250		

### Selection of Running Gear

Running Gear		Order No.	Main Roller ø d [mm]	Material Bandage	Weight approx. [kg]	Parallel- Flange	Preference Range I-Beams I-Beam Code	I-Beams Tapered- Flange	I-Beam Code
	<b>Type HMG</b> with cylindrical main rollers, hor- izontal guide rol- lers at the beam center web and anti-lift rollers								
		755	112	Polyurethane	20	IPE 240  G 3192 250x125x6x9  W 8x18	0124	INP 220 GB 706-65/20a	0022
		855	125	Polyurethane	22			G 3192 200x100x7x10x8° S 8x18.4	
	<b>Type HMP</b> with cylindrical main rollers, hor- izontal guide rol- lers at the beam center web and anti-lift plate								
		759	112	Polyurethane	20	IPE 240  G 3192 250x125x6x9  W 8x18	0124	INP 220 GB 706-65/20a	0022
		859	125	Polyurethane	22			G 3192 200x100x7x10x8° S 8x18.4	

#### Notes / design

- Main roller ø 112 mm: anti-lift roller ø 63 mm made of stainless steel, horizontal guide roller ø 63 mm with PU bandage
- Main roller ø 125 mm: anti-lift roller ø 63 mm made of stainless steel, horizontal guide roller ø 80 mm with PU bandage
- As an alternative to the anti-lift rollers an anti-lift plate, made of plastic, can be used. (running gear HMP, but not for towing trolley and towing trolley for catenary trolley)
- The rollers are equipped with precision ball bearings and additional sealing disks (2RS1), the ball bearings are lifetime lubricated and therefore maintenance free





# Cable Trolleys for Round Cables Program 0375

Dual Layer Cable Trolleys with Main Rollers  $\varnothing$  125 mm /  $\varnothing$  160 mm



## Technical details

Cable supports	bolted to the center plate, lateral-loading and reinforced
Clamping bar	V-clamping (divided)
Buffers	double-sided cellular buffer
Travel speed max. <sup>1)</sup>	300 m/min <sup>2)</sup>
Load capacity max. <sup>1)</sup>	800 kg
Cable trolley underpart and running gear	hot-dip galvanized steel
Fasteners	stainless steel
Temperature range	- 30°C to + 50°C

<sup>1)</sup> depending on roller size/ roller material

<sup>2)</sup> together with motorized trolleys

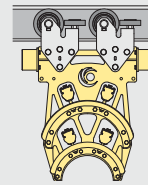
## Ordering Example

Order No. 037523-9888 - 955 - 0220

A cable trolley underpart with the following dimensions shall be used:

- Support diameter:  $d_a / d_{a2} = 460 / 360$  mm
- Clamping width:  $b_2 = 250$  mm;
- Clamping height:  $s / s_2 = 46 / 36$  mm

Order No. 037523-9888 (chosen from catalog page 10)

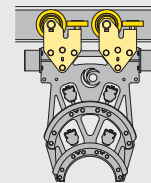


The following running gear has been chosen:

Type HMG

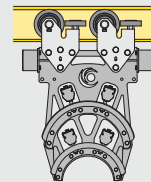
- Cylindrical main rollers  $\varnothing$  160 mm with Polyurethan bandage
- With horizontal guide rollers with Polyurethan bandage
- With anti-lift rollers made of stainless steel

Order No. 955 (chosen from catalog page 11)



The following track beam has been chosen:

- G 3192 200x200x8x12
- I-beam code 0220 (chosen from catalog page 11)



The order no. of the appropriate towing clamp is:

037543-9888

As an alternative to the towing clamp a towing trolley can be used.

The order no. of the appropriate towing trolley is:

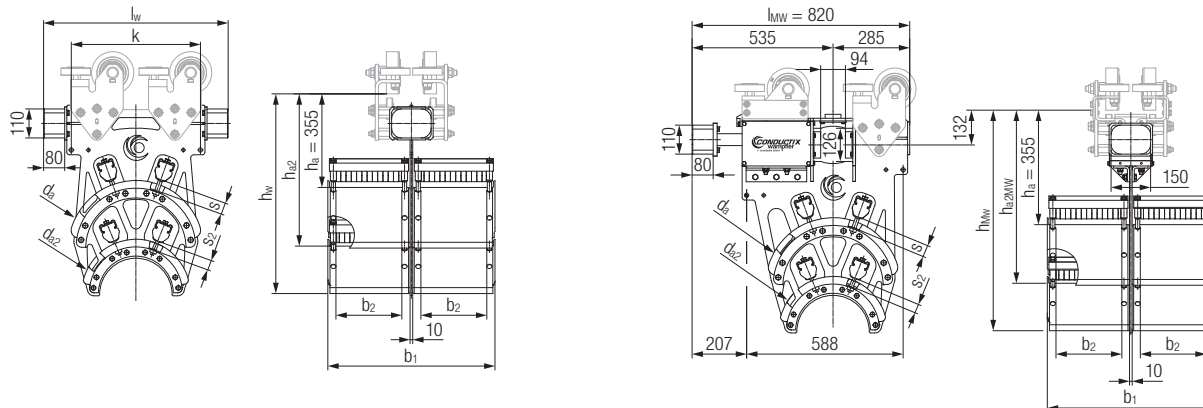
037533-9888-955-0220

The order no. of the appropriate end clamp is:

037513-9888

# Cable Trolleys for Round Cables Program 0375

## Selection of Cable Trolleys and Towing Trolleys



Cable Trolley

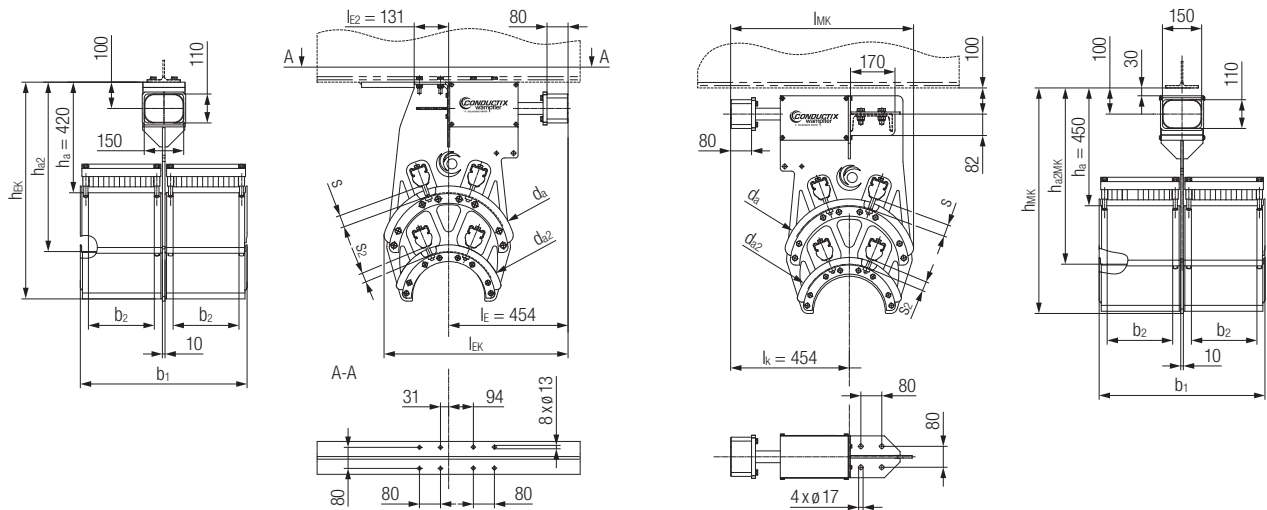
Towing Trolley

Cable Trolley Underpart without Running Gear		Towing Trolley without Running Gear		$d_a / d_{a2}$	$l_w$	$b_1$	$b_2$	$s / s_2$	$k$	$h_{a2}$	$h_w$	$h_{a2MW}$	$h_{MW}$
Order No.	[kg]	Order No.	[kg]	[mm]	[mm]	[mm]	[mm]	[mm]	[mm]	[mm]	[mm]	[mm]	[mm]
037523-8363	38	037533-8363	64	360/260	700	386	125	36/26	490	528	716	613	803
037523-8666	45	037533-8666	71			534	200						
037523-8868	50	037533-8868	76			634	250						
037523-8969	66	037533-8969	92			782	320						
037523-9383	47	037533-9383	73	460/360	700	386	125	46/36	490	578	766	663	853
037523-9686	54	037533-9686	80			534	200						
037523-9888	60	037533-9888	86			634	250						
037523-9989	81	037533-9989	107			782	320						

# Cable Trolleys for Round Cables

## Program 0375

### Selection of End Clamps and Towing Clamps



End Clamp

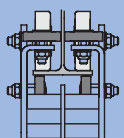
Drilling template for End Clamp

Drilling template for Towing Clamp

Towing Clamp

End Clamp Complete		Towing Clamp Complete		$d_a / d_{a2}$	$l_{EK} / l_{MK}$	$b_1$	$b_2$	$s / s_2$	$h_{a2}$	$h_{a2MK}$	$h_{EK}$	$h_{MK}$
Order No.	[kg]	Order No.	[kg]	[mm]	[mm]	[mm]	[mm]	[mm]	[mm]	[mm]	[mm]	[mm]
037513-8363	56	037543-8363	56	360/260	665	386	125	36/26	599	624	783	813
037513-8666	63	037543-8666	63			534	200					
037513-8868	68	037543-8868	68			634	250					
037513-8969	84	037543-8969	84			782	320					
037513-9383	65	037543-9383	65	460/360	700	386	125	46/36	644	674	833	863
037513-9686	72	037543-9686	72			534	200					
037513-9888	78	037543-9888	78			634	250					
037513-9989	99	037543-9989	99			782	320					

### Selection of Running Gears

Running Gear		Order No.	Main Roller $\phi d$ [mm]	Material Bandage	Weight approx. [kg]	Parallel-Flange	Preference Range I-Beam Code	Tapered-Flange	I-Beam Code
 <p><b>Type HMG</b> with cylindrical main rollers, horizontal guide rollers at the beam center web and anti-lift rollers</p>	855	125	Polyurethan	40	IPB 200 G 3192 200x200x8x12	0220	-	-	
	955	160	Polyurethan	44	W 8x 40				

#### Notes/design

- Main roller  $\phi 125$  mm: anti-lift roller  $\phi 63$  mm made of stainless steel, horizontal guide roller  $\phi 80$  mm with Polyurethan bandage
- Main roller  $\phi 160$  mm: anti-lift roller  $\phi 80$  mm made of stainless steel, horizontal guide roller  $\phi 112$  mm with Polyurethan bandage
- The rollers are equipped with precision ball bearings and additional sealing disks (2RS1), the ball bearings are lifetime lubricated and therefore maintenance free
- Running gear for other I-beam types or beam sizes on request



CONTAINER TERMINAL ALTENWERDER

CONTAINER TERMINAL ALTENWERDER

CONTAINER TERMINAL ALTENWERDER

CTA

CTA

# Motorized Cable Trolleys Program 0380

Motorized Cable Trolley with 1.95 KW / 3 KW Drive



## Technical details

Cable supports	bolted to the center plate, lateral-loading and reinforced Ø 460 mm
Clamping bar	V-clamping (divided)
Drive <sup>1)</sup>	1.95 KW / 3 KW
Travel speed max.	300 m/min
Load capacity max. <sup>1)</sup>	350 kg
Cable trolley underpart and running gear	hot-dip galvanized steel
Fasteners	stainless steel
Temperature range	-25°C to +50°C

*1) depending on trolley size*

## Ordering Example

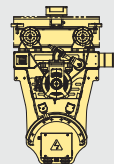
Order No.

038020-96 - 1WL - 66

A motorized cable trolley with the following dimensions shall be used:

- Support diameter: 460 mm
- Clamping width:  $b_2 = 200$  mm;

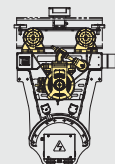
Order No. 038020- 96 (chosen from catalog page 14)



The following additional configuration has been chosen:

- Motorized cable trolley's position in the system: 1
- With limit-Switch (sea side)
- With limit-Switch (land side)

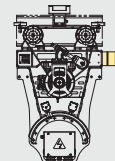
Order No. 1 WL (chosen from catalog page 15)



The following buffer has been chosen:

- Cellular buffer Ø100x150 one side

Order No. 66 (chosen from catalog page 15)

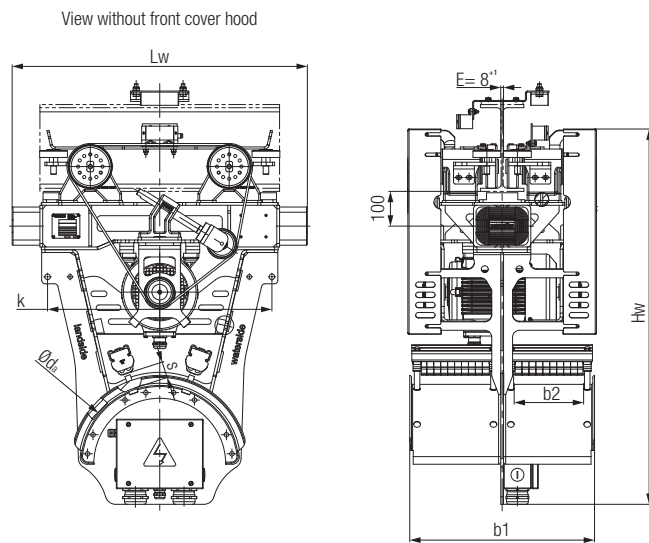


The order no. of the appropriate trolley is:

036623-96-859-0124

# Motorized Cable Trolleys Program 0380

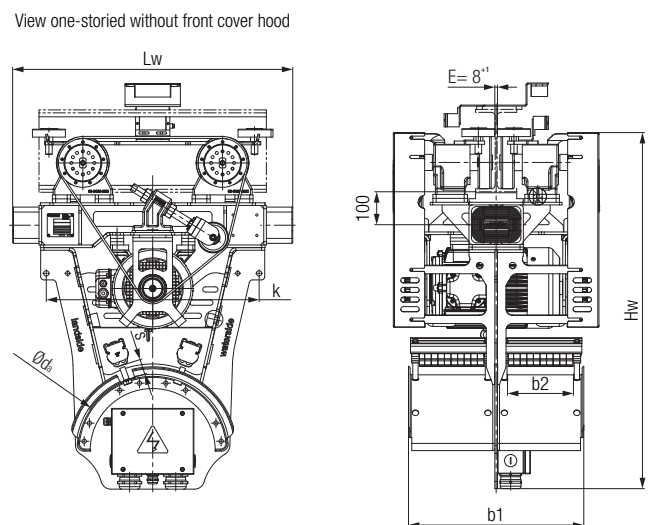
## Selection of Motorized Cable Trolley 1.95 kW



Motorized Cable Trolley	P [kW]	d <sub>a</sub> [mm]	l <sub>w</sub> [mm]	b <sub>1</sub> [mm]	b <sub>2</sub> [mm]
038020-93	1.95	460	850	384	125
038020-96				532	200
038020-98				632	250

s [mm]	k [mm]	H <sub>w</sub> [mm]	Weight [kg]
46	646	1081	195
			200
			205

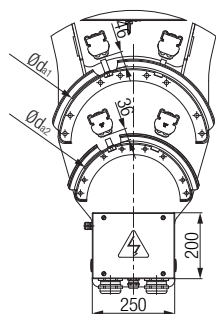
## Selection of Motorized Cable Trolley 3 kW



Motorized Cable Trolley	P [kW]	d <sub>a</sub> [mm]	l <sub>w</sub> [mm]	b <sub>1</sub> [mm]	b <sub>2</sub> [mm]
038030-93	3	460	850	384	125
038030-96				532	200
038030-98				632	250

s [mm]	k [mm]	H <sub>w</sub> [mm]	Weight [kg]
46	646	1081	247
			250
			255

Version Cable trolley two storeyed



# Motorized Cable Trolleys

## Program 0380

### Selection of Additional Configurations

Configuration	Position of trolley within the system	Limit Switch	
		land side	sea side
1 L <sup>1)</sup>	1	yes	no
2 L <sup>1)</sup>	2	yes	no
3 L <sup>1)</sup>	3	yes	no
1 WL	1	yes	yes
2 WL	2	yes	yes
3 WL	3	yes	yes

<sup>1)</sup> for cable trolley 038030 only

### Selection of Buffer Configuration

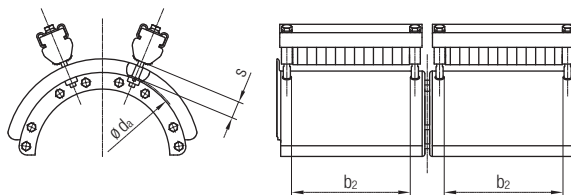


**-66**  
Round buffer, on water/sea side.  
Ø100x150 (in connection with trolleys 0366)



**-75**  
Rectangular buffer, on both sides.  
Ø150x110x80 (in connection with trolleys 0375)

### Additional Cable Saddles <sup>1)</sup>



Additional Cable Saddle		d <sub>a</sub>	d <sub>a2</sub>	b <sub>1</sub>	b <sub>2</sub>	s <sub>2</sub>
Order No.	[kg]	[mm]	[mm]	[mm]	[mm]	[mm]
86	12	460	360	384	125	36
86	16	460	360	532	200	36
88	18	460	360	632	250	36

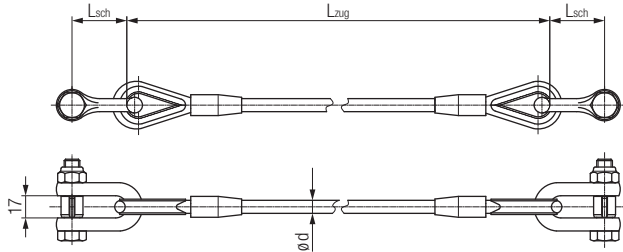
<sup>1)</sup> for motorized cable trolleys 038030 only





# Accessories for Festoon Systems Program 0366, 0375 and 0380

## Towing Ropes

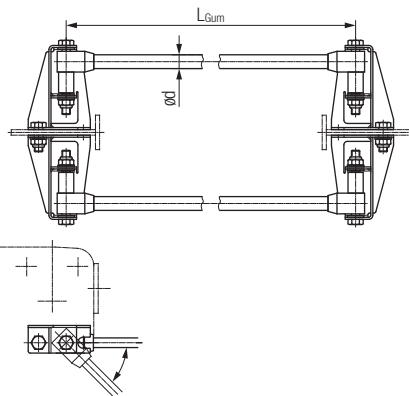


Order No.	ø d [mm]	L <sub>sch</sub> [mm]	Material			Program
			Rope	Shackle	Fasteners	
031963	8/10	42	Galvanized steel PVC-coated	Galvanized steel	Stainless steel Seawater resistant aluminum	0366 0375 0380
031964	10/12	42	Galvanized steel PVC-coated	Galvanized steel	Stainless steel Seawater resistant aluminum	
031965/2	8/10	48	Stainless steel PVC-coated	Stainless steel	Stainless steel Seawater resistant aluminum	

### Notes

- We recommend the installation of towing ropes for a speed from 50 m/min or a travel distance > 30 m
- The towing ropes are PVC-coated for a better protection against corrosion and to prevent the cables from damage
- For the calculation of the lengths please refer to our Engineering Guideline KAT0300-0101
- In case of order please state the lengths L<sub>zug</sub> of the respective towing ropes

## Damping Devices



### Technical details

- Shock cord: rubber with plastic plait
- Console: hot-dipped galvanized steel
- Fasteners: stainless steel

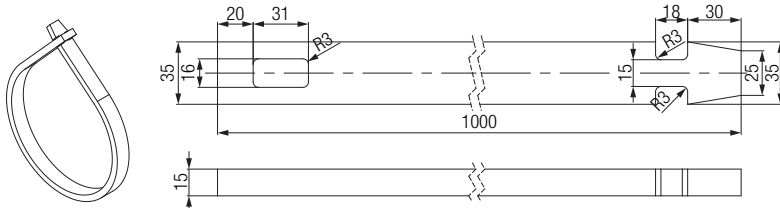
Order No.	Number of Shock Cords	ø d [mm]	Program
031976-2	2	20	0366 0375 0380
031977-2	4	20	
031978-2	6	20	
031971	2	28	
031979	4	28	

### Notes

- We recommend the installation of damping devices for high speed and/or short cable loops
- For the calculation of the length please refer to our Engineering Guideline KAT0300-0101
- In case of order please state the length of the respective shock cords L<sub>Gum</sub>
- Number and diameter are defined by weight load, cable loop and speed

# Accessories for Festoon Systems Program 0366, 0375 and 0380

## Cable Organizers for Cable Loops

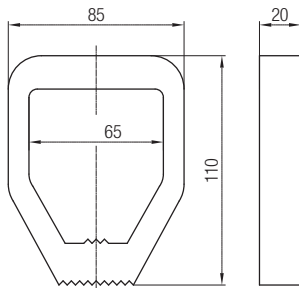


Order No.	ø d [mm]	b [mm]	s [mm]	Material	Weight [kg]
031942-0300x15	300	35	15	Rubber	0.90
031942-0500x15	500	35	15		2.10
031942-0700x15	700	35	15		2.35

### Note

For cable loops > 4 m, the cable organizer in addition to the round cable clamps prevents an expansion of the cables at the lower section of the cable loop.

## Additional Clamping Piece for Round Cable Clamps



Order No. 031899-065x020/514

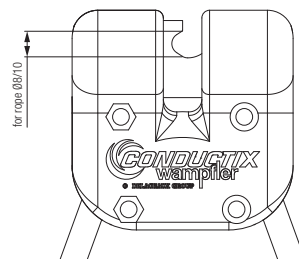
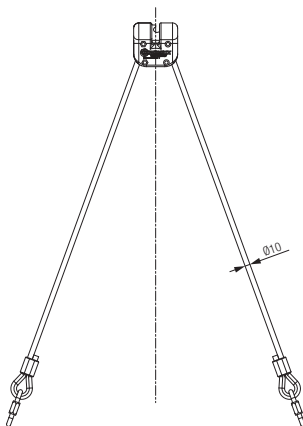
### Technical details

- Material: rubber
- Weight: 0.08 kg
- For Program: 0366 / 0375 / 0380

### Note

Differences in diameter between adjacent cables of more than 15 mm require additional clamping pieces for a tight clamping.

## Anti-Wind Damping Device



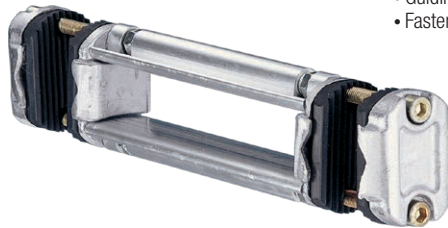
Order No. 03-D025-0096

### Technical details

- Material:
  - Housing: glass fibre reinforced plastic
  - Rope: rubber
- Weight: 0.4 kg
- For Program: 0366 / 0375 / 0380

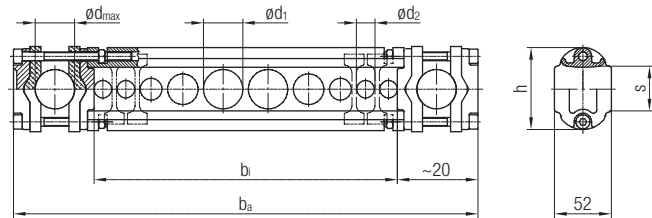
# Accessories for Festoon Systems Program 0366, 0375 and 0380

## Round Cable Clamps



### Technical details

- Clamping: aluminum/rubber
- Guiding profile: aluminum
- Fasteners: stainless steel

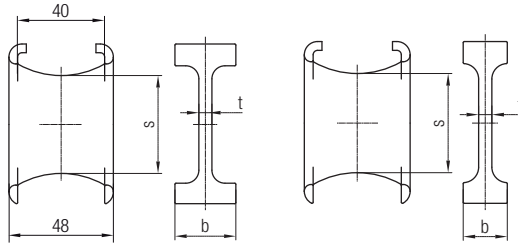


Order No.	$\varnothing d_{max}$ [mm]	$b_i$ [mm]	$b_a$ [mm]	$h$ [mm]	$s$ [mm]	$\Sigma d^{1)}$ [mm]	Weight [kg]
031941-026x100/400	26	100	236	64	30	34	0.95
031941-026x150/400		150	286				1.07
031941-026x200/400		200	336				1.09
031941-026x250/400		250	386				1.31
031941-026x300/400		300	436				1.45
031941-026x350/400		350	486				1.57
031941-026x400/400		400	536				1.71
031941-026x450/400		450	586				1.83
031941-026x500/400		500	636				1.95
031941-026x550/400		550	686				2.07
031941-026x600/400		600	736				2.19
031941-026x650/400		650	786				2.33
031941-026x700/400		700	836				2.45
031941-036x100/400		36	100				256
031941-036x150/400	150		306	1.16			
031941-036x200/400	200		356	1.28			
031941-036x250/400	250		406	1.40			
031941-036x300/400	300		456	1.54			
031941-036x350/400	350		506	1.66			
031941-036x400/400	400		556	1.80			
031941-036x450/400	450		606	1.92			
031941-036x500/400	500		656	2.04			
031941-036x550/400	550		706	2.16			
031941-036x600/400	600		756	2.28			
031941-036x650/400	650		806	2.42			
031941-036x700/400	700		856	2.54			
031941-046x100/400	46		100	276	84	50	56
031941-046x150/400		150	326	2.49			
031941-046x200/400		200	376	2.61			
031941-046x250/400		250	426	2.73			
031941-046x300/400		300	476	2.87			
031941-046x350/400		350	526	2.99			
031941-046x400/400		400	576	3.13			
031941-046x450/400		450	626	3.25			
031941-046x500/400		500	676	3.37			
031941-046x550/400		550	726	3.50			
031941-046x600/400		600	776	3.63			
031941-046x650/400		650	826	3.75			
031941-046x700/400		700	876	3.87			

1) If the total of two adjacent cables ( $d_1 + d_2$ ) is smaller than the value  $\Sigma d$  of the table, spacers are required to separate the cables. See top of page 17.

# Accessories for Festoon Systems Program 0366, 0375 and 0380

## Spacers



Broad version

Small version

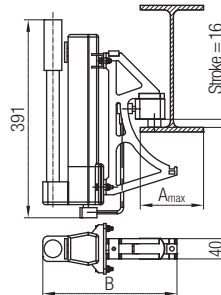
Order No.	s [mm]	t [mm]	b [mm]	Appropriate Cable Clamp	Material	Version	Weight [kg]
031946-26	25	4	18	031941-026x...	Plastic	Small	0.010
031946-36	35	5	19	031941-036x...			0.015
031946-46	45	6	20	031941-046x...			0.025
031947-26	25	4	26	031941-026x...	Plastic	Broad	0.015
031947-36	35	5	27	031941-036x...			0.020
031947-46	45	6	28	031941-046x...			0.025

### Notes

- The above drawings are examples for illustration only
- Small version for cables with outer diameter smaller 14 mm and larger 22 mm
- Broad version for cables with outer diameter larger 14 mm and smaller 22 mm

## Lifting Device

Order No.	Program	A <sub>max</sub> [mm]	B [mm]	Weight [kg]	I-Beam
039030-1	0366	150	265	5	IPE 240 G 3192 250x125x6x9 W8x18
039030-2	0375	220	311	6	IPB 200 G 3192 200x200x8x12 W8x40



### Note

The lifting device can be used for lifting of the cable trolley during replacement of main rollers or side shields.

# Control Cabinet

## Program 0366, 0375 and 0380

---

### Festoon Control Cabinet

---

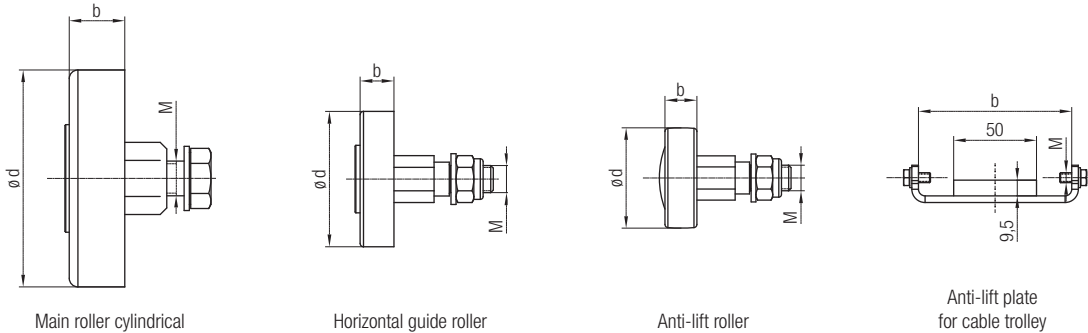


Type No.	05-S230-xxx
Main power	415 V 50 Hz
Control power	230 V 50 Hz
Inverter size	10 kW - 3x9A Sinamics
Interface	PROFIBUS®
Software module	integrated in separate PLC
Possible options	relais interface/UL/software in crane PLC/etc.
PLC brand	Siemens/ABB/TMEIC/Yaskawa
Control cabinet brand	Rittal
Rittal type	TS8806.500
Control cabinet color	7035
Cabinet dimension	H 2000 mm x W 800 mm x D 600 mm
Lamp and socket in cabinet	Rittal or similar
Control cabinet material	painted steel
Wire color criterion	DIN VDE / IEC
Terminal type	spring terminal and screw terminal

# Wear Parts for Cable Trolleys

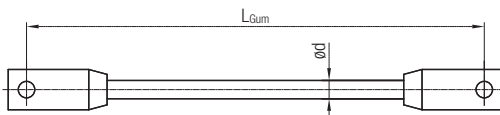
## Program 0366, 0375 and 0380

### Replacement Rollers for Running Gear Types HMG and HMP



Order No.	Description	ø d [mm]	b [mm]	Thread M	Material Bandage	Weight [kg]
030130-112.1	Main roller cylindrical	112	27.5	M20	Polyurethan	0.8
030130-125.1		125	32.0	M20	Polyurethan	1.3
030130-160.1		160	50.0	M24	Polyurethan	2.7
030132-063.1	Horizontal guide roller	63	16.5	M12	Polyurethan	0.3
030132-080.1		80	20.0	M16	Polyurethan	0.5
030132-112.1		112	27.5	M20	Polyurethan	0.8
030124-063.1	Anti-lift roller	63	20.0	M16	Stainless steel	0.6
030124-080.1		80	24.0			0.8
030125-0001	Anti-lift plate for towing trolley / -clamp, end clamp, and towing trolley for catenary trolley	-	120.0	M8	Plastic	0.2
030125-0002	Anti-lift plate middle (for towing trolley, for catenary trolley)		194.0			
030125-0003	Anti-lift plate for cable trolley (motorized and non-motorized)		194.0	M12		0.6
030125-0004	Anti-lift plate for towing trolley / -clamp 0366		194.0	M8		0.2

### Shock Cords



#### Technical details

- Shock cord: rubber with plastic plait
- Fasteners: stainless steel/hot-dipped galvanized steel

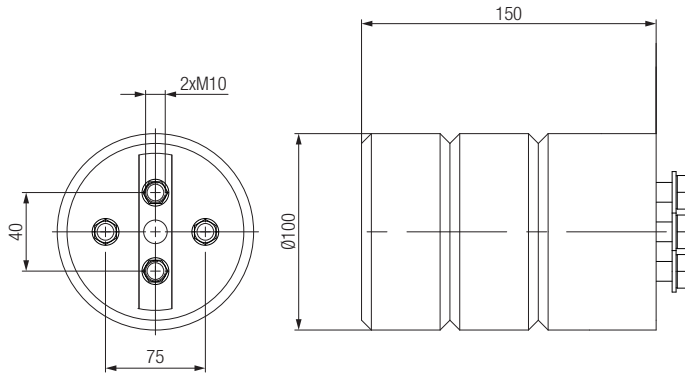
Order No.	ø d [mm]	Weight [kg/m]
031989-2	20	0.4
031996	28	0.6

#### Note

In case of order please state the lengths  $L_{Gum}$  of the respective shock cords.

# Wear Parts for Cable Trolleys Program 0366, 0375 and 0380

## Cellular Buffer 100x150

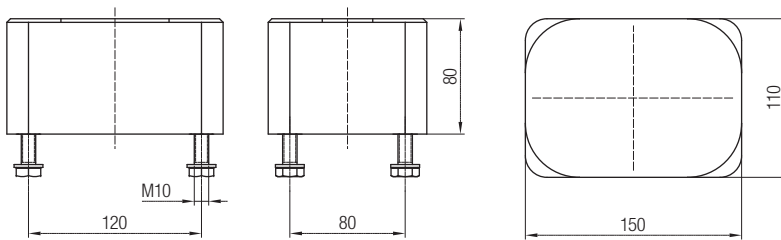


Order No. 031997-100x150

### Technical details

- Material: polyurethan
- Weight: 0.8 kg
- For program 0366
- For cable trolleys

## Cellular Buffer 150x110x080

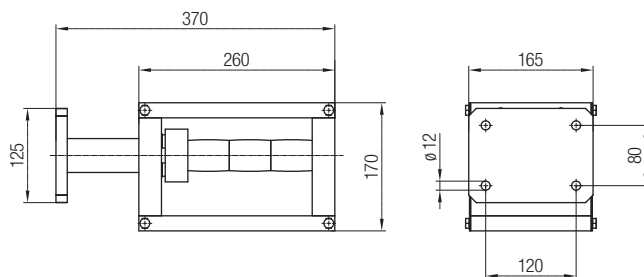


Order No. 031997-150x110

### Technical details

- Material: Polyurethan
- Weight: 0.9 kg
- For program 0375

## Buffer Unit

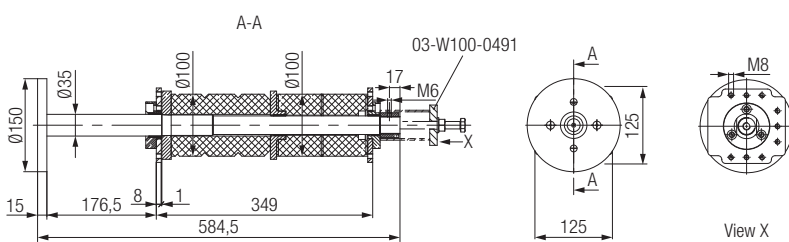


Order No. 039028

### Technical details

- Material:
  - Housing aluminum seawater resistant
  - Rubber buffer
- Weight: 15 kg
- For program: 0366 (round buffers) and 0375 (rectangular buffers)
- Only for towing trolley and towing trolley for catenary trolley 0366

## Buffer Unit



Order No. 03-K032-0045

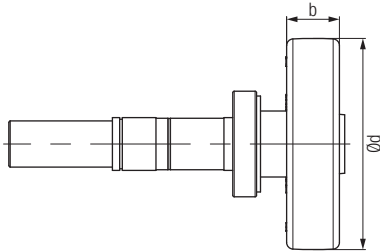
### Technical details

- Material:
  - cellular buffers
  - stainless steel (piston rods)
- Weight: 18.5 kg
- For program: 0366
- Only for towing clamps and end clamps

# Wear Parts for Motorized Cable Trolleys

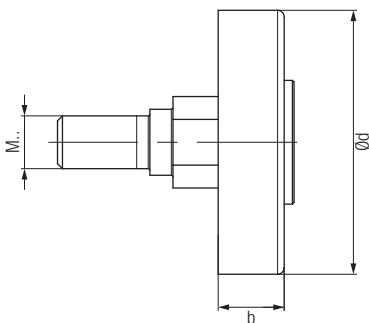
## Program 0380

### Driving Rollers for Motorized Cable Trolleys



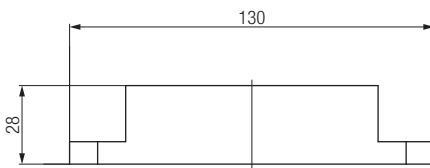
Order No.	Description	$\varnothing d$ [mm]	$b$ [mm]	Material Bandage	Weight [kg]
03-E210-0018	Driving rollers spare part 125x32PU	125	32	Polyurethan	2.4
03-E210-0020	Driving rollers spare part 160x40PU	160	40	Polyurethan	3.7

### Horizontal Guide Rollers



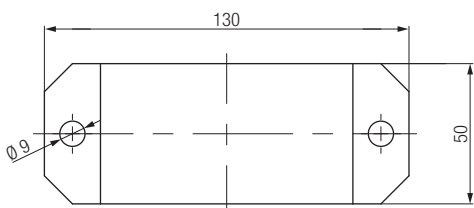
Order No.	Description	$\varnothing d$ [mm]	$b$ [mm]	Thread M	Material Bandage	Weight [kg]
030132-080.1	Horizontal guide roller $\varnothing 80$	80	20	16	Polyurethan	0.6
03-R007-3311	Horizontal guide roller $\varnothing 100$	100	24	20	Polyurethan	0.7

### Anti-lift Plate



Order No. 03-G090-0063 (1.95 kW)  
03-G090-0067 (3.0 kW)

**Material**  
• Plastic (green)

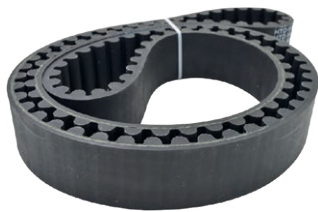




# Wear Parts for Motorized Cable Trolleys

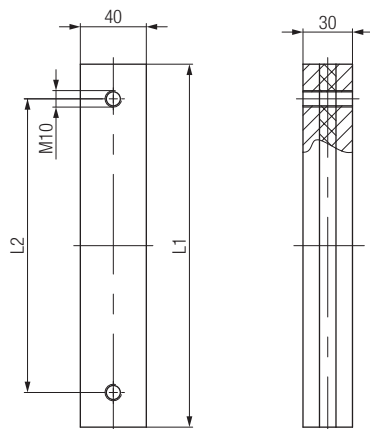
## Program 0380

### Toothed Belts



Order No.	Description	For trolley type	Length [mm]	Width [mm]	Material	Weight [kg]
03-0070420	Toothed Belt HTD 1600-8M-30 Neoprene	038020	1600	30	Neoprene	0.3
03-3171734	Toothed Belt HTD 1584-8M-30 Neoprene	038020	1584	30	Neoprene	0.3
03-3173356	Toothed Belt HTD 1696-8M-30 Neoprene	038020	1696	30	Neoprene	0.3
03-75668	Toothed Belt HTD 1696-8M-50 Neoprene	038030	1696	50	Neoprene	0.5

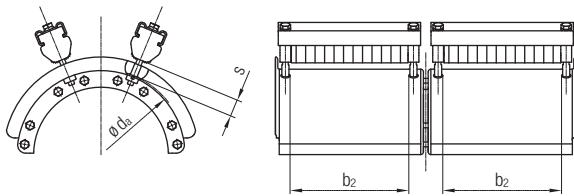
### Silent Block



Order No.	Description	For trolley type	Length L1 [mm]	Width [mm]	Hole spacing L2 [mm]	Weight [kg]
03-P013-0053	Rubber-metal bar	038020	180	40	140	1.25
03-P013-0089	Rubber-metal bar	038030	220	40	178	1.53

# Spare Parts for Cable Trolleys Program 0366, 0375 and 0380

## Cable Supports Complete



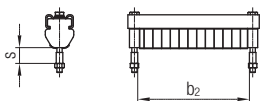
Cable supports for round cables

Complete cable supports

- consist of:
- 2 cable supports
  - 4 clamping bars
  - Fasteners

Order No.	Weight [kg]	d <sub>a</sub> [mm]	b <sub>2</sub> [mm]	s [mm]	Program	Type of Cable
039004-260X125	10.0	260	125	26	0365 0375	Round
039004-260X200	12.0		200			
039004-260X250	16.0		250			
039004-260X320	18.0		320		0375	
039004-360X125	12.0	360	125	36	0365 0375	
039004-360X200	16.0		200			
039004-360X250	18.0		250			
039004-360X320	22.0		320		0375	
039004-460X125	14.0	460	125	46	0365 0375	
039004-460X200	18.0		200			
039004-460X250	22.0		250			
039004-460X320	26.0		320		0375	

## Clamping Bars Complete



Clamping bars for round cables

Complete clamping bars

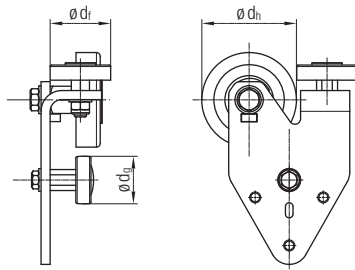
- consist of:
- C-Rail
  - Clamping rubber
  - Fasteners

Order No.	Weight [kg]	s [mm]	b <sub>2</sub> [mm]	Program	Type of Cable
039010-260X125	1.5	26	125	0365 0375	Round
039010-260X200	1.7		200		
039010-260X250	2.0		250		
039010-260X320	2.5		320	0375	
039010-360X125	1.5	36	125	0365 0375	
039010-360X200	1.7		200		
039010-360X250	2.0		250		
039010-360X320	2.5		320	0375	
039010-460X125	1.5	46	125	0365 0375	
039010-460X200	1.7		200		
039010-460X250	2.0		250		
039010-460X320	2.5		320	0375	

# Spare Parts for Cable Trolleys

## Program 0366

### Side Shields Complete



Running gear type HMG

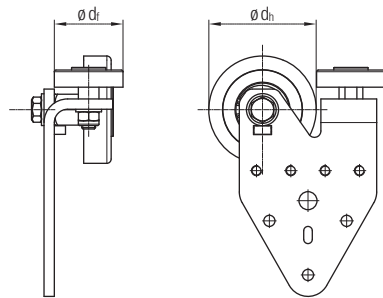
**Complete side shields**

**consist of:**

- Side shield
- Rollers mounted

#### Program 0366 for running gear type HMG

Order No.	Weight [kg]	$\varnothing d_h$ [mm]	$\varnothing d_r$ [mm]	Material Bandage	$\varnothing d_g$ [mm]	Material Anti-Lift Roller	Flange	I-Beam
039220-112-0124	4.0	112	63	Polyurethan	63	Stainless steel	Parallel	IPE240 G3192 250x125x6x9 W8x18
039220-125-0124	4.5	125	80	Polyurethan				
039220-112-0022	4.0	112	63	Polyurethan	63	Stainless steel	Tapered flange	INP220 G3192 200x100x7x10x8° S8x18.4
039220-125-0022	4.5	125	80	Polyurethan				



Running gear type HMP

**Complete side shields**

**consist of:**

- Side shield
- Rollers mounted
- Running gear type HMP without anti-lift plate

#### Program 0366 for running gear type HMP<sup>1)</sup>

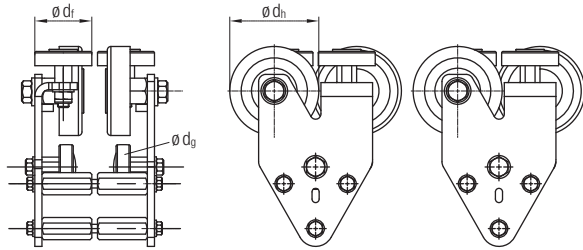
Order No.	Weight [kg]	$\varnothing d_h$ [mm]	$\varnothing d_r$ [mm]	Material Bandage	Flange	I-Beam
03922-112-0124	4.0	112	63	Polyurethan	Parallel	IPE240 G3192 250x125x6x9 W8x18
03922-125-0124	4.5	125	80	Polyurethan		
039222-112-0022	4.0	112	63	Polyurethan	Tapered flange	INP220 G3192 200x100x7x10x8° S8x18.4
039222-125-0022	4.5	125	80	Polyurethan		

<sup>1)</sup> without anti-lift plate

# Spare Parts for Cable Trolleys

## Program 0366

### Running Gear Complete



#### Complete running gears

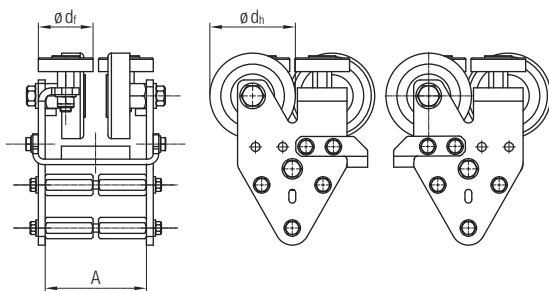
##### consist of:

- 4 side shields complete
- Distance bolts
- Fasteners

Running gear type HMG

#### Program 0366 for running gear type HMG

Order No.	Weight [kg]	$\varnothing d_h$ [mm]	$\varnothing d_f$ [mm]	Material Bandage	$\varnothing d_g$ [mm]	Material Anti-Lift Roller	Flange	I-Beam
037654-0124	20	112	63	Polyurethan	63	Stainless steel	Parallel	IPE240 G3192 250x125x6x9 W8x18
038654-0124	22	125	80	Polyurethan				
037654-0022	20	112	63	Polyurethan	63	Stainless steel	Tapered flange	INP 220 G3192 200x100x7x10x8° S8x18.4
038654-0022	22	125	80	Polyurethan				



#### Complete running gears

##### consist of:

- 4 side shields complete
- Distance bolts
- Fasteners
- Running gear type HMP, anti-lift plate included

Running gear type HMP

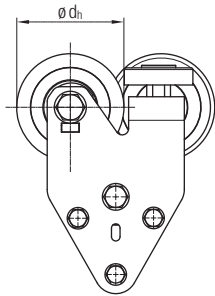
#### Program 0366 for running gear type HMP

Order No.	Weight [kg]	$\varnothing d_h$ [mm]	$\varnothing d_f$ [mm]	Material Bandage	A [mm]	Material Anti-Lift Plate	Flange	I-Beam
037658-0124	20	112	63	Polyurethan	168	Plastic	Parallel	IPE240 G3192 250x125x6x9 W8x18
038658-0124	22	125	80	Polyurethan				
037658-0022	20	112	63	Polyurethan	168	Plastic	Tapered flange	INP220 G3192 200x100x7x10x8° S8x18.4
038658-0022	22	125	80	Polyurethan				

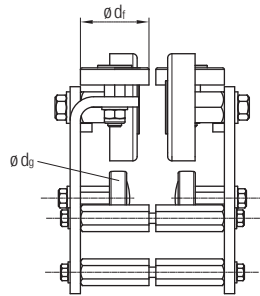
# Spare Parts for Cable Trolleys

## Program 0366

### Running Gear Complete

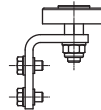


Running gear type HMG

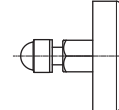


Complete running gears for towing trolley and towing trolley for catenary trolley consist of:

- 2 side shields complete
- Distance bolts
- 2 fasteners incl. roller
- 2 rollers complete



Fastener incl. roller



Roller complete

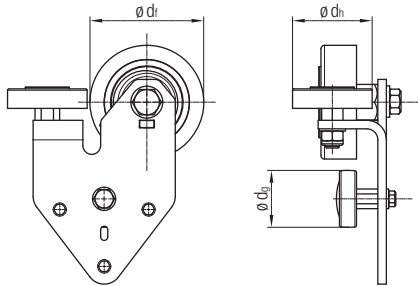
### Program 0366 running gear type HMG for towing trolley and towing trolley for catenary trolley

Order No.	Weight [kg]	$\varnothing d_h$ [mm]	$\varnothing d_i$ [mm]	Material Bandage	$\varnothing d_g$ [mm]	Material Anti-Lift Roller	Flange	I-Beam
037654-2-0124	20	112	63	Polyurethan	63	Stainless steel	Parallel	IPE240 G3192 250x125x6x9 W8x18
038654-2-0124	22	125	80	Polyurethan				
037654-2-0022	20	112	63	Polyurethan	63	Stainless steel	Tapered flange	INP 220 G3192 200x100x7x10x8° S8x18.4
038654-2-0022	22	125	80	Polyurethan				

# Spare Parts for Cable Trolleys

## Program 0375

### Side Shields Complete



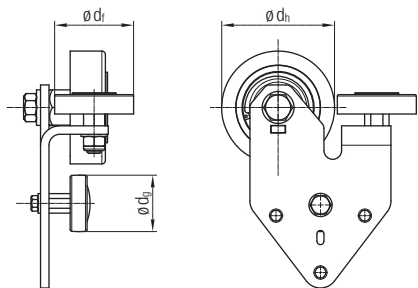
Complete side shields consist of:

- Side shield
- Rollers mounted

Running gear type HMG (Side shield left)

#### Program 0375 for running gear type HMG side shield left

Order No.	Weight [kg]	$\varnothing d_h$ [mm]	$\varnothing d_r$ [mm]	Material Bandage	$\varnothing d_g$ [mm]	Material Anti-Lift Roller	Flange	I-Beam
039224-125-L-0220	7.0	125	80	Polyurethan	63	Stainless steel	Parallel	IPB200 G 3192 200x200x8x12 W 8x40
039224-160-L-0220	7.8	160	112	Polyurethan	80			



Complete side shields consist of:

- Side shield
- Rollers mounted

Running gear type HMG (Side shield right)

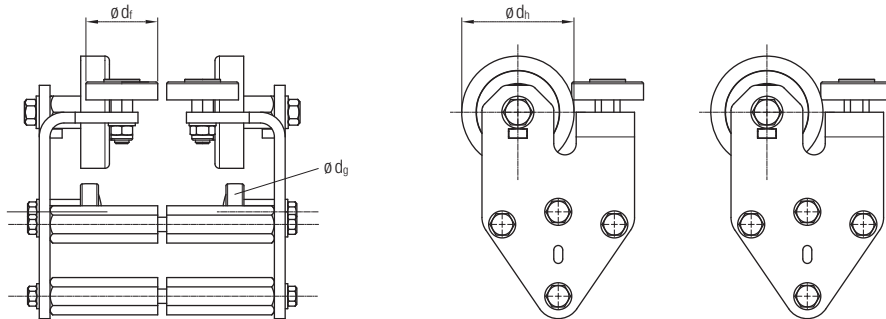
#### Program 0375 for running gear type HMG side shield right

Order No.	Weight [kg]	$\varnothing d_h$ [mm]	$\varnothing d_r$ [mm]	Material Bandage	$\varnothing d_g$ [mm]	Material Anti-Lift Roller	Flange	I-Beam
039224-125-R-0220	7.0	125	80	Polyurethan	63	Stainless steel	Parallel	IPB200 G 3192 200x200x8x12 W 8x40
039224-160-R-0220	7.8	160	112	Polyurethan	80			

# Spare Parts for Cable Trolleys

## Program 0375

### Running Gear Complete



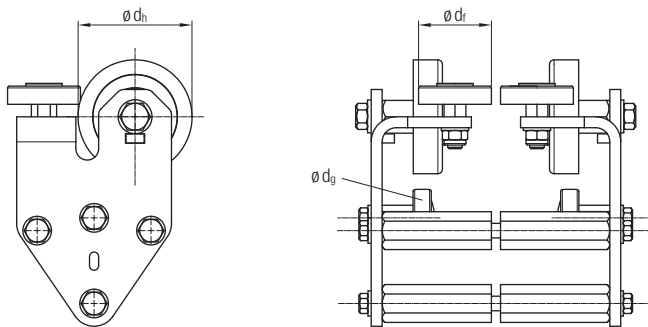
Running gear type HMG

**Complete running gears consist of:**

- 4 side shields complete
- Distance bolts
- Fasteners

### Program 0375 for running gear type HMG

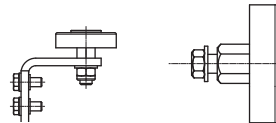
Order No.	Weight [kg]	$\varnothing d_h$ [mm]	$\varnothing d_r$ [mm]	Material Bandage	A [mm]	Material Anti-Lift Roller	Flange	I-Beam
038954-0220	40	125	80	Polyurethan	63	Stainless steel	Parallel	IPB200 G 3192 200x200x8x12 W 8x40
039954-0220	44	160	112	Polyurethan	80			



Running gear type HMG

**Complete running gears for towing trolley and towing trolley for catenary trolley consist of:**

- 2 side shields
- 2 fasteners incl. roller
- 2 rollers complete



Fastener incl. roller

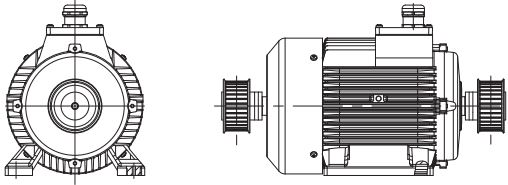
Roller complete

### Program 0375 for running gear type HMG for towing trolley and towing trolley for catenary trolley

Order No.	Weight [kg]	$\varnothing d_h$ [mm]	$\varnothing d_r$ [mm]	Material Bandage	$\varnothing d_g$ [mm]	Material Anti-Lift Roller	Flange	I-Beam
038954-2-0220	40	125	80	Polyurethan	63	Stainless steel	Parallel	IPB200 G 3192 200x200x8x12 W 8x40
039954-2-0220	44	160	112	Polyurethan	80			

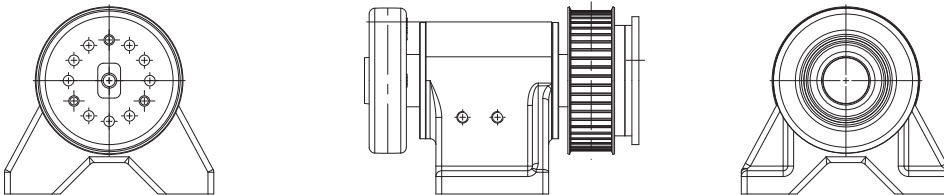
# Spare Parts for Motorized Cable Trolleys Program 0380

## Motor Assemblies



Order No.	Description	Power [kW]	Voltage [V]	No. of teeth, toothed disc [z]	Weight [kg]
03-M040-0032	Motor assembly VA 112M8 1.95 kW 400 V Z32	1.95	400	32	28.5
03-M040-0037	Motor assembly VA 112M8 1.95 kW 400 V Z24	1.95	400	24	28.5
03-M040-0031	Motor assembly VA 132M/8B-11 3.0 kW Z30	3.0	400	30	28.8

## Bearing Housings

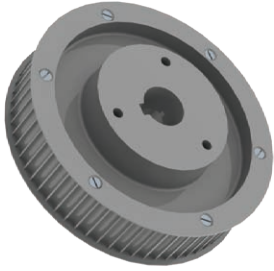


Order No.	Description	ø Roller [mm]	No. of teeth, toothed disc [z]	Weight [kg]
03-L017-0053	Bearing Housing ø125PU with toothed disc Z48	125	48	11
03-L017-0063	Bearing Housing ø125PU with toothed disc Z64	125	64	12
03-L017-0061	Bearing Housing ø160PU with toothed disc Z56	160	56	14.8



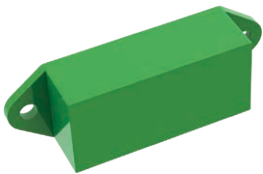
# Spare Parts for Motorized Cable Trolleys Program 0380

## Toothed Discs



Order No.	Description	No. of teeth, toothed disc [z]	Belt width [mm]	ø Bore b [mm]	Used for	Weight [kg]
03-Z006-0052/510	HTD toothed belt disc 8M-30 Z48 ø28H7	48	30	28	Shaft	3.6
03-Z006-0059	HTD toothed belt disc 8M-30 Z64 ø28H7	64	30	28	Shaft	4.3
03-Z006-0026	HTD toothed belt disc 8M-30 Z32 ø28H7	32	30	28	Motor	1.2
03-Z006-0057	HTD toothed belt disc 8M-50 Z56 ø35H7	56	50	35	Shaft	5.2
03-Z006-0023	HTD toothed belt disc 8M-50 Z30 ø38H7	30	50	38	Motor	2.0

## Magnetic End Switch

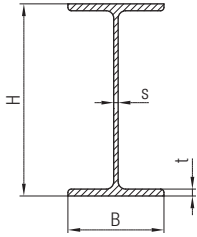


Order No.	Description	Color
03-WK008K214.1	Magnetic End Switch 03-WK008K214.1	–
03-S211-0034	Magnet North for Magnetic End Switch	green
03-S211-0033	Magnet South for Magnetic End Switch	red

# Technical Appendix

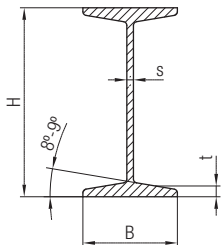
## Specification of Preference Range I-Beams

### Dimensions of the Standard I-Beams for Program 0366 and 0380 Parallel Flange



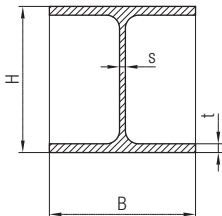
Country	Description	H [mm]	B [mm]	s [mm]	t [mm]	I-Beam Code
Europe	IPE 240	240 ± 4	120 <sup>+4</sup> <sub>-2</sub>	6.9 ± 0.7	9.8 ± 1	0124
Japan	G 3192 250x125x6x9	250 ± 2	125 ± 2.5	6.0 ± 0.7	9.0 ± 1	0124
USA	W8x18	206 <sup>+4</sup> <sub>-3</sub>	133 <sup>+6</sup> <sub>-5</sub>	5.8 ± 0.7	8.4 ± 0.7	0124

### Dimensions of the Standard I-Beams for Program 0366 Tapered Flange



Country	Description	H [mm]	B [mm]	s [mm]	t [mm]	I-Beam Code
Europe	INP 220	220 ± 3	98 ± 2	8.1 ± 0.7	12.2 <sup>+2</sup> <sub>-1</sub>	0022
Japan	G 3192 200x100x7x10x8°	200 ± 2	102 ± 2	7.0 ± 1	10.0 ± 1	0022
China	GB 706-65/20a	200 ± 2	102 ± 2	7.0 ± 1	11.4 ± 1	0022
USA	S8x18.4	203 <sup>+3</sup> <sub>-2</sub>	102 ± 3	6.8 ± 1	10.8 ± 0.7	0022

### Dimensions of the Standard I-Beams for Program 0375 Parallel Flange



Country	Description	H [mm]	B [mm]	s [mm]	t [mm]	I-Beam Code
Europe	IPB 200	200 <sup>+4</sup> <sub>-2</sub>	200 <sup>+4</sup> <sub>-2</sub>	9.0 ± 1	15.0 <sup>+4</sup> <sub>-2</sub>	0220
Japan	G 3192 200x200x8x12	200 ± 2	200 ± 2	8.0 ± 0.7	12.0 ± 1	0220
USA	W8x40	209 <sup>+4</sup> <sub>-3</sub>	205 <sup>+6</sup> <sub>-5</sub>	9.1 ± 1	14.0 <sup>+2</sup> <sub>-1</sub>	0220

# Other Products from Conductix-Wampfler

The products described in this catalog represent a few of the products from the broad spectrum of Conductix-Wampfler components and systems for the transfer of energy, data, gases, and fluids. The solutions we deliver for your applications are based on your specific requirements. In many cases, a combination of several different Conductix-Wampfler products are needed to fill the application. You can count on all of Conductix-Wampfler's business units for hands-on engineering support - coupled with the perfect solution to meet your energy management and control needs.



### Motor driven cable reels

Motor driven reels by Conductix-Wampfler are the perfect solution for managing long lengths of heavy cable and hoses in very demanding industrial applications. Monospiral, level wind, and random wind spoofs.



### Slip ring assemblies

Whenever powered machinery needs to rotate 360°, field proven slip ring assemblies by Conductix-Wampfler can flawlessly transfer energy and data. Here, everything revolves around flexibility and reliability.



### Conductor bar

Whether they are enclosed conductor rails, expandable single-pole bar systems, or high amperage bar for demanding steel mill use up to 6000 amps. Conductix-Wampfler's conductor bar is the proven solution to reliably move people and material.



### Spring driven cable reels

We have 60 years experience and trusted brands such as Insul-8, Wampfler, and IER. We offer small cord reels all the way to large multi-motor units, a wide range of accessories, and hazardous location reels.



### Cable Festoon systems

It's hard to imagine Conductix-Wampfler cable trolleys not being used in virtually every industrial application. They are reliable and robust and available in an enormous variety of sizes and models.



### Push Button Pendants

Our ergonomic pendants are ideally suited for industrial control applications. They are available in a wide range of configurations for overhead cranes and other machinery.



### Radio remote controls

Safe, secure, and reliable radios use the latest in microprocessor technology. Available in several models for overhead crane control and other types of machinery.



### Inductive Power Transfer IPT®

The contact-less system for transferring energy and data. For all tasks that depend on high speeds and absolute resistance to wear.



### Data Transfer: ProfiDAT® | Nexus

Safe & reliable wireless communication using slotted waveguide technology that's PROFIsafe compatible.

Nexus NB for narrow band signal transfer over power conductors



### LJU Automation EMS Controller

Specialized controllers Programmable by parameters, Ideal for Electrified Monorails at automotive plants, with over 1500 in service worldwide. Adaptable for other applications



### BridgeGuard™

Prevents crane to crane and crane to end collisions. IP69K rated for indoor and outdoor use, with a 3 ft to 150 ft range. Compliant with IEC 60068-2-6:2007



### Air & Spring balancers | Air hoists

Conductix-Wampfler offers the full line of ENDO positioning devices. Rugged, reliable steel construction increasing safety and decreasing fatigue and body stress.

# www.conductix.us

## USA / LATIN AMERICA

10102 F Street  
Omaha, NE 68127

Customer Support  
Phone +1-800-521-4888

Phone +1-402-339-9300  
Fax +1-402-339-9627

info.us@conductix.com  
latinamerica@conductix.com

## CANADA

1435 Norjohn Court  
Unit 5  
Burlington, ON L7L 0E6

Customer Support  
Phone +1-800-667-2487

Phone +1-450-565-9900  
Fax +1-450-951-8591

info.ca@conductix.com

## MÉXICO

Calle Treviño 983-C  
Zona Centro  
Apodaca, NL México 66600

Customer Support  
Phone (+52 81) 1090 9519  
(+52 81) 1090 9025  
(+52 81) 1090 9013

Fax (+52 81) 1090 9014

info.mx@conductix.com

## BRAZIL

Rua Dois, 493  
Itu, São Paulo, Brasil  
CEP: 13312-820

Customer Support  
Phone (+55 11) 4813 7330

Fax (+55 11) 4813 7330

info.br@conductix.com

Contact us for our Global Sales Offices

